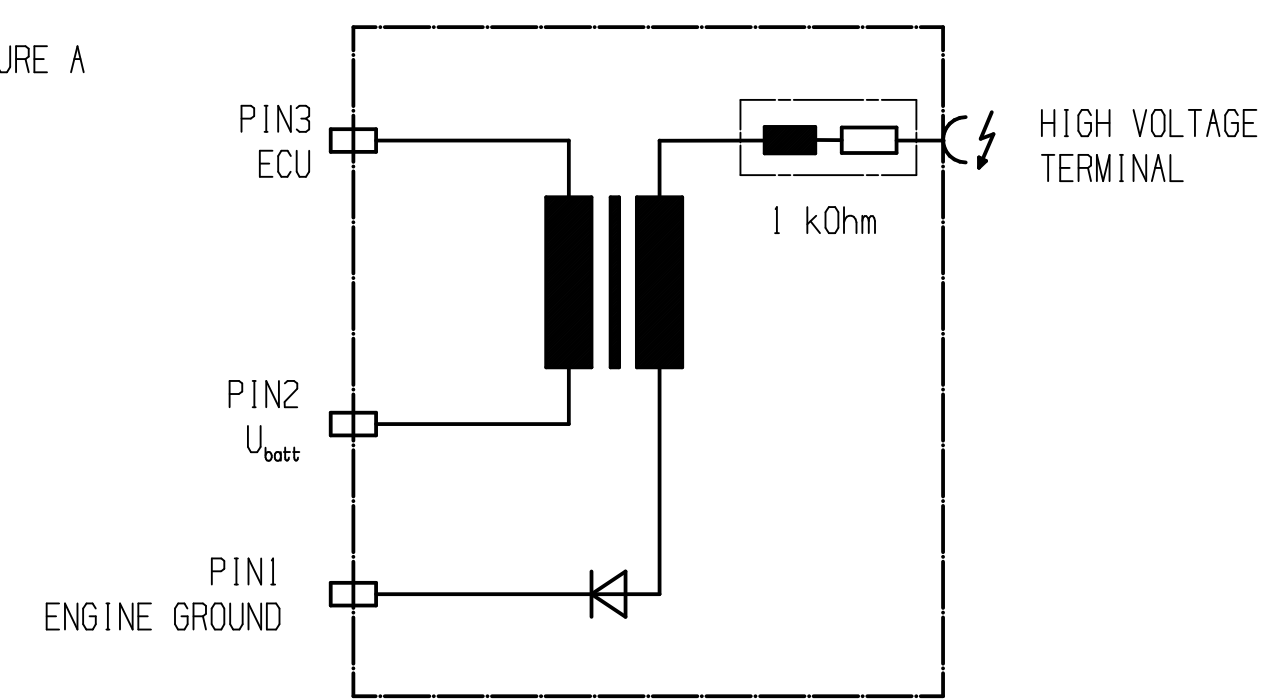


© THIS DRAWING IS THE EXCLUSIVE PROPERTY OF ROBERT BOSCH GMBH. WITHOUT THEIR CONSENT IT MAY NOT BE REPRODUCED OR GIVEN TO THIRD PARTIES.
 © Alle Rechte bei Robert Bosch GmbH, auch fuer den Fall von Schutzrechtsverletzungen. Jede Verfuugungsbezugnis, wie Kopier- und Weitergaberecht, bei uns.

RECOMMENDED FASTENER:
 M6 8.8
 TIGHTENING TORQUE: $7 \pm 1.4\text{Nm}$

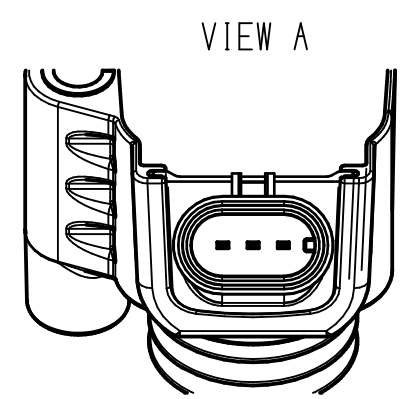
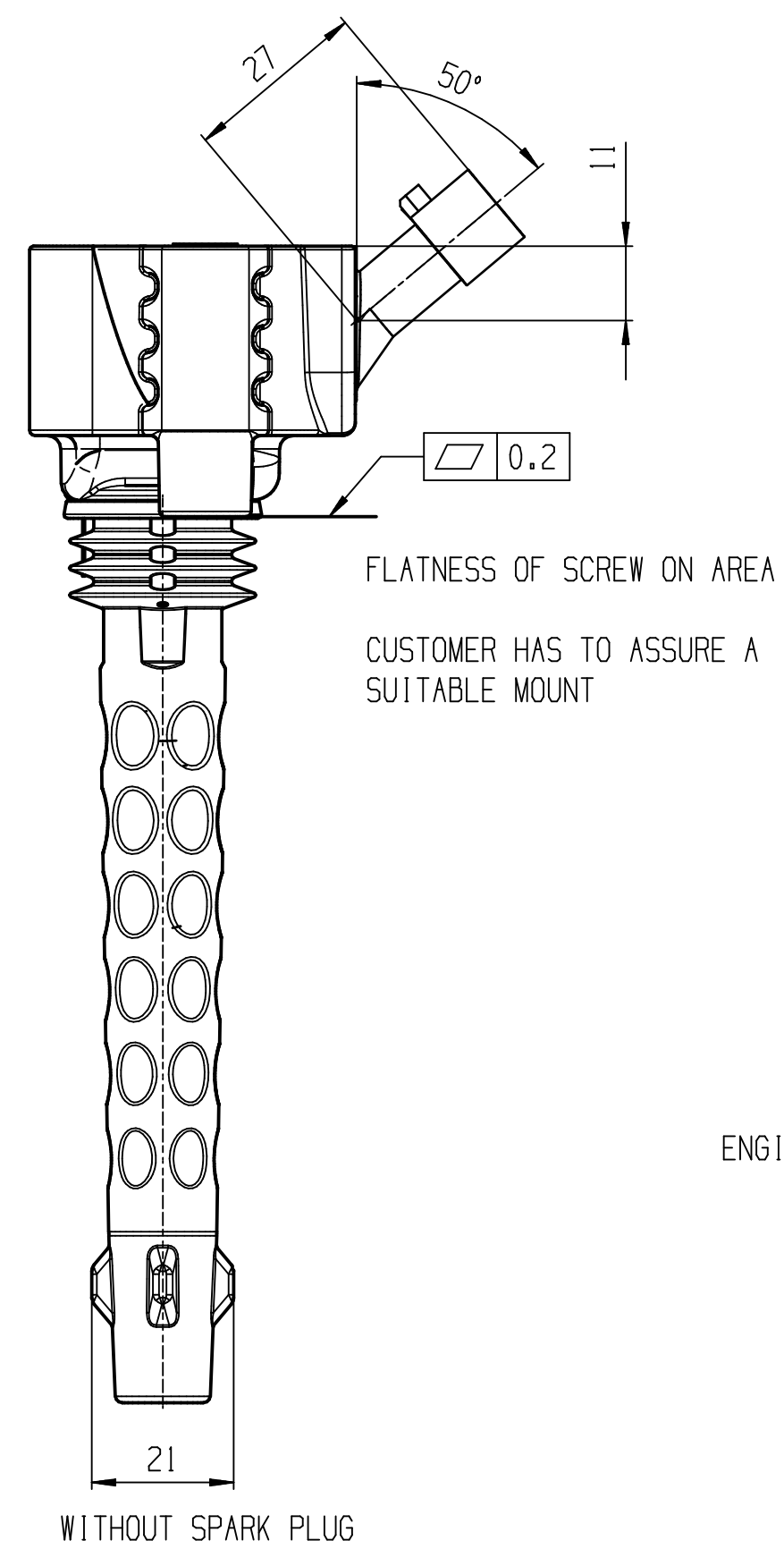
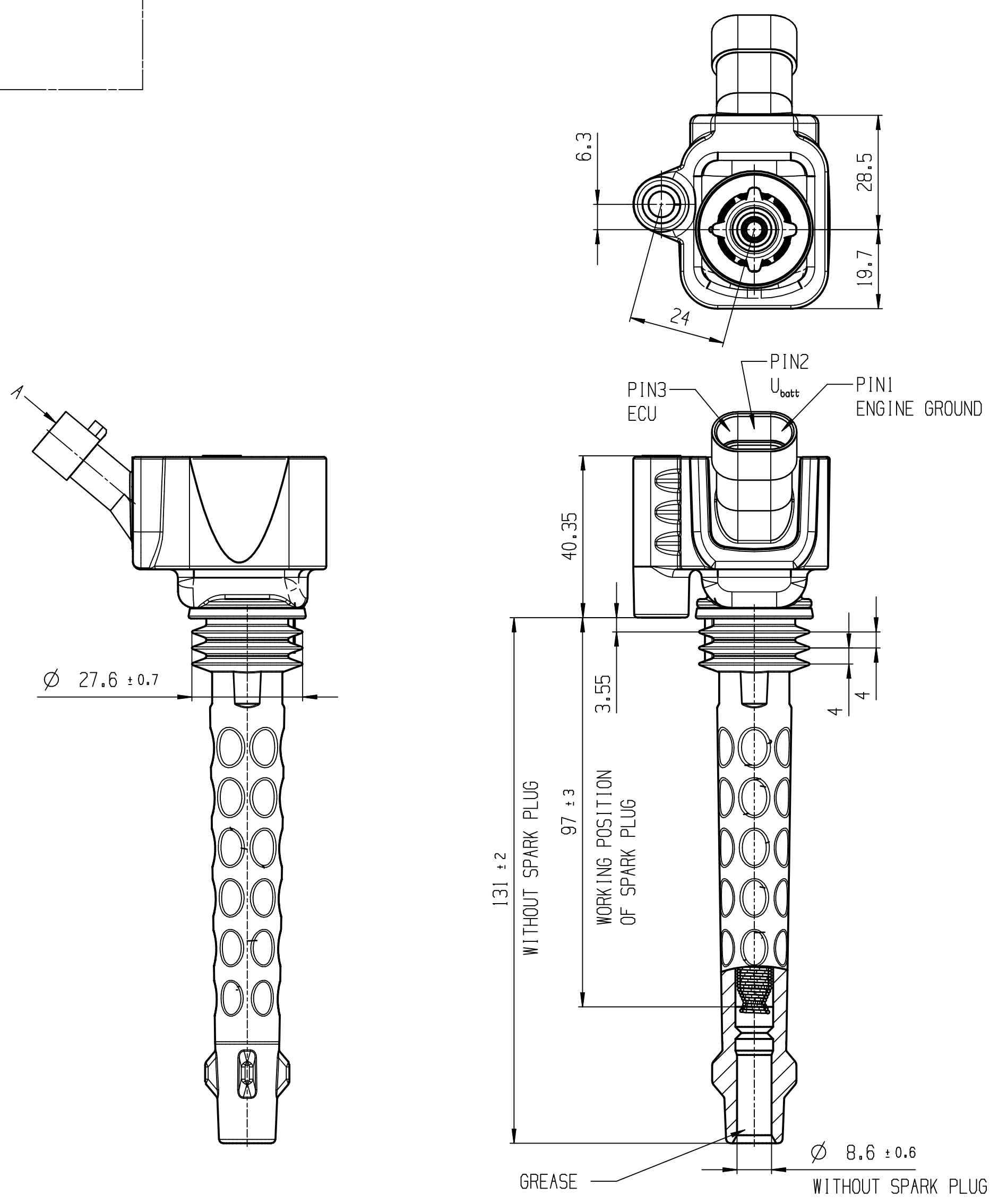
CONNECTION SYSTEM ACCORDING TO CUSTOMER DRAWING AMP C-284425-1, 3 PINS
 CUSTOMER HAS TO ASSURE THE CONTINUOUS STABILITY OF THE CONNECTION SYSTEM.
 BOSCH DOES NOT ACCEPT LIABILITY FOR DEFECTS OF THE CONNECTION SYSTEM

CIRCUIT DIAGRAM

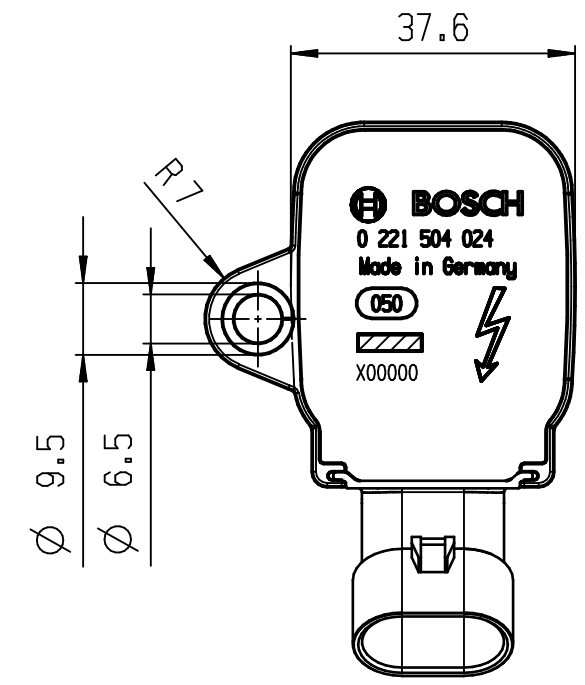


CAUTION!
 PRIMARY CONNECTION HAS DANGEROUS VOLTAGE !

CAUTION!
 DO NOT DISASSEMBLE SPARK PLUG CONNECTOR



AMP C-284425-1, 3 PINS
 POLARIZATION 1



Dokumentenart/ DOCUMENT TYPE AGZ		Nicht tol. Masse NON TOLERANCED DIMENSIONS ±0.5 mm, ±5 °		Mastab SCALE 1:1		Gewicht WEIGHT 220 gr.	
Angebots- zeichnung DRAWING				OFFER			
Benennung/ TITLE Zuendspule IGNITION COIL				Original: 05-SI/ENI			
N- NO		Aenderung CHANGE		gez. DWN.		gueltig VALID	
Ers.f./ REPLACES		Ers.d./ REPLAC.BY		DIN A2		Bosch 0 221 Y00 265a_01 de/en	
Blatt SHEET 1		B1/SH		Ausfuhrungsbezeichnung N12A D11/1 beachten			

0 221 Y00 265_01	0 221 Y00 265_01	0 221 Y00 265_01
Entwurf - Zeichnung DRAFT DRAWING NUMBER	Bestell - Nummer ORDER NUMBER	Typ TYPE