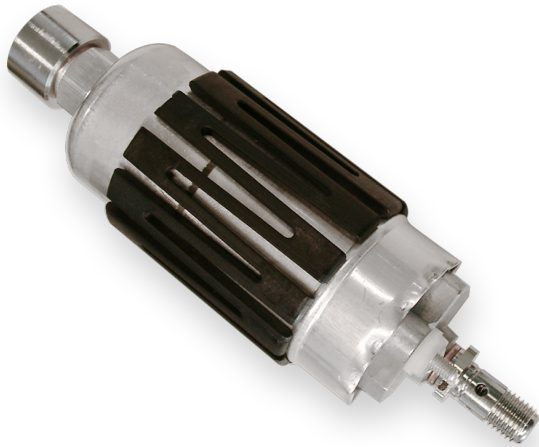


# Fuel Pump FP 200-7



- ▶ >200 l/h
- ▶ Internal pressure limiting valve
- ▶ 750 g
- ▶ Fuel lines screwed
- ▶ Internal pre-filter on suction side with 300 µm

The FP 200-7 is an inline roller cell pump for the installation outside the fuel tank (installation in the tank is not proven). It is capable of providing 200 l/h at 7 bar. Bio-fuel can be delivered up to E100 (shortens lifetime!). The FP 200-7 is compatible with Gasoline and Diesel fuel. It is the replacement for the 0580.254.044 aftermarket fuel pump with higher performance.

## Application

Fuel pressure	Up to 7,5 bar
Gasoline delivery rate at 5 bar and 22°C	>220 to 270 l/h
Diesel delivery rate at 7 bar and 22°C	>185 to 235 l/h
Pressure limiting valve	8,0 to 10,0 bar
Fuel compatibility	Up to E100 with shorter lifetime
Diesel compatibility	Given
Operating temperature range	-40 to 80°C ≤90°C for ≤5 h over 1.000 h lifetime ≤105°C for ≤1 h over 50 h lifetime
Storage temperature range	-30 to 60°C
Max. vibration IEC 60068-2-34	10 Hz 19,4 (m/s <sup>2</sup> )/Hz 300 Hz 0,654 (m/s <sup>2</sup> )/Hz 1.000 Hz 0,059 (m/s <sup>2</sup> )/Hz

## Technical Specifications

### Mechanical Data

Diameter	60 mm
----------	-------

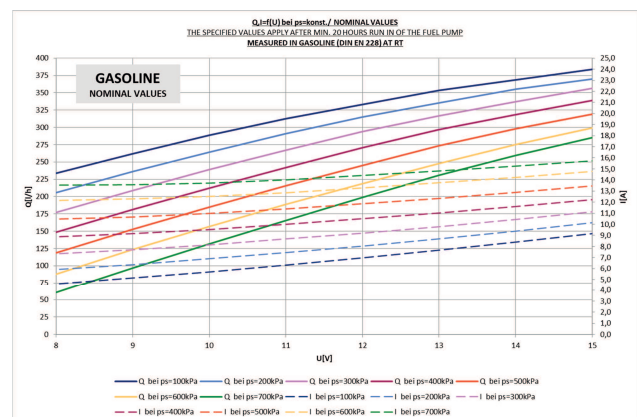
Length	197 mm
Weight	750 g (864 g incl. cable kit)
Mounting	Clamping

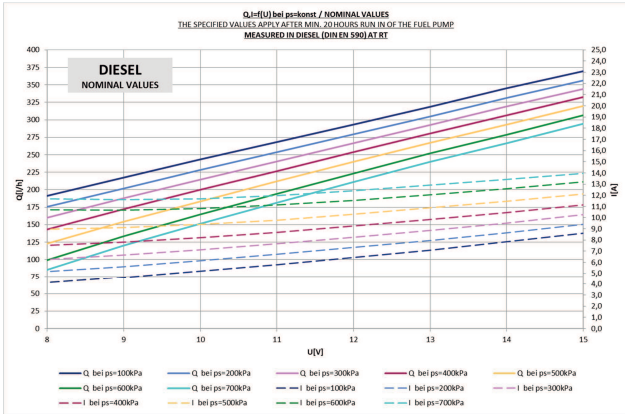
### Electrical Data

Supply voltage	6 to 15 V (26 V for 60 s)
Operating voltage	13 V
Load current at 5 bar and 22°C	≤ 17 A

### Characteristic

Color	Silver
Non-return valve	External
Fuel filtering	External, on pressure side
Over-pressure valve	Internal





**Connectors and Wires**

Electrical connector	+M4/-M5
Electrical mating connector	With ring wire M4 and M5
Mechanical connector intake side	M18x1.5
Mechanical connector pressure side	M12x1.5

**Installation Notes**

- Up to E100 with shorter lifetime
- For technical reasons the values may vary.
- Please use within the specified limit values only.
- Please find further application hints in the offer drawing at our homepage.

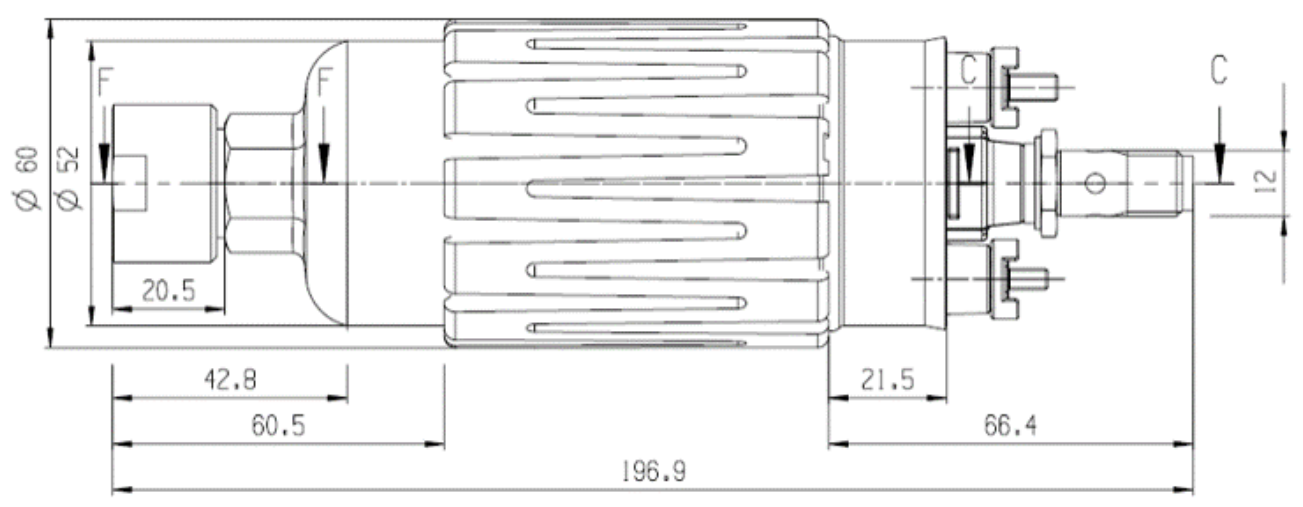
**Legal Restrictions**

Due to embargo restrictions, sale of this product in Russia, Belarus, Iran, Syria, and North Korea is prohibited.

**Ordering Information**

**Fuel Pump FP 200-7**  
 Order number **F.02U.V03.136-01**

**Dimensions**



**Represented by:**

**Europe:**  
 Bosch Engineering GmbH  
 Motorsport  
 Robert-Bosch-Allee 1  
 74232 Abstatt  
 Germany  
 Tel.: +49 7062 911 9101  
 Fax: +49 7062 911 79104  
 motorsport@bosch.com  
 www.bosch-motorsport.de

**North America:**  
 Bosch Engineering North America  
 Motorsport  
 38000 Hills Tech Drive  
 Farmington Hills, MI 48331-3417  
 United States of America  
 Tel.: +1 248 876 2977  
 Fax: +1 248 876 7373  
 motorsport@bosch.com  
 www.bosch-motorsport.com

**Asia-Pacific:**  
 Bosch Engineering Japan K.K.  
 Motorsports Department  
 1-9-32 Nakagawa Chuo, Tsuzuki-ku  
 Yokohama City  
 Kanagawa Prefecture 224-8601  
 Japan  
 Tel.: +81 45 605 3032  
 Fax: +81 45 605 3059  
 www.bosch-motorsport.jp

**Australia, New Zealand and South Africa:**  
 Robert Bosch Pty. Ltd  
 Motorsport  
 1555 Centre Road  
 Clayton, Victoria, 3168  
 Australia  
 Tel.: +61 (3) 9541 3901  
 motor.sport@au.bosch.com