

Ignition Module IM 4



This module is an external ignition power stage capable of supplying up to four non-transistorized ignition coils.

The IM input signal should be supplied by an ECU with ignition signal outputs in the range of 10 to 20 mA, e.g. MS 6.

The IM unit combines the robustness of a high quality production part with good electrical performance to provide an ideal solution for adapting non-transistorized coils to an ECU without internal ignition driver stages.

Application

Primary current	≤ 8.5 A
Clamp voltage	380 ± 30 V
Operating temperature range at measuring point	-40 to 120°C
Storage temperature range	-40 to 130°C
Max. rpm (ensure chilled mounting position)	8,000
Max. vibration	400 m/s ² at 5 to 2,500 Hz

Technical Specifications

Mechanical Data

Size	70.5 x 68 x 20 mm
Weight w/o wire	54 g
Mounting	2 x M4 screws with spring washer

Electrical Data

U _{Batt} typical	13.5 V
---------------------------	--------

- ▶ Max. 4 cylinders
- ▶ 54 g
- ▶ Fits to all ECUs without internal ignition power stage like MS 6
- ▶ Especially adapted for Coils P50(-M) and P65

Voltage supply	6 to 16.5 V
I _B high active on	min. 10 mA
I _B low off	0 mA
I _B	10 to 22 mA
I _C typical	< 8.5 A
I _C max. at T _U < 120°C	< 10 A
U _{CE} satt at I _C = 5 A	< 3 V
U _{CE} satt at I _C max	< 9 V

Connectors and Wires

Connector (Coil T1)	Bosch Jetronic 4-pole
Mating connector	D 261 205 351-01
Jetronic 4-pole	
Pin 1	Collector transistor 4
Pin 2	Collector transistor 3
Pin 3	Collector transistor 2
Pin 4	Collector transistor 1
Connector (ECU)	Bosch Jetronic 5-pole
Mating connector	D 261 205 352-01
Jetronic 5-pole	
Pin 1	Basis transistor 1
Pin 2	Basis transistor 2
Pin 3	Gnd
Pin 4	Basis transistor 3
Pin 5	Basis transistor 4

Installation Notes

This ignition module can be used with Coils P50(-M) and P65 or comparable coils.

Please ensure that the connectors are safe from water.

The IM has to be mounted onto a cooling body. The mounting surface needs a planarity of 0.2 mm.

A heat conductive paste has to be used.

This ignition module is designed for use with engine control units which have no integrated ignition transistor.

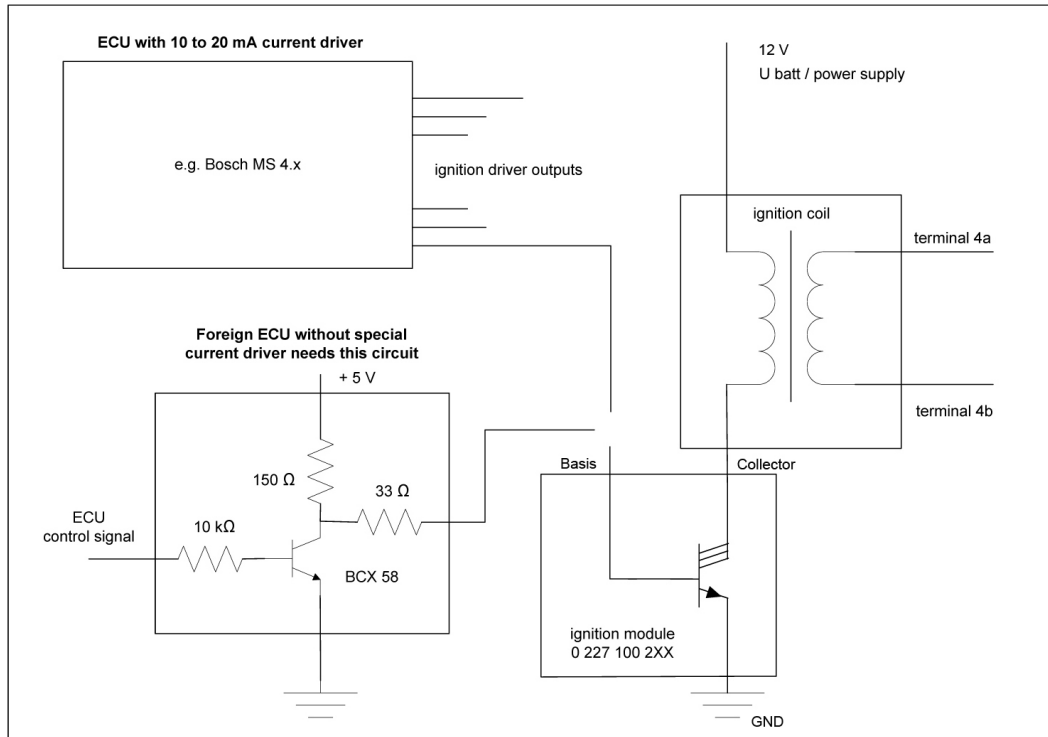
Please observe the specified limit values.

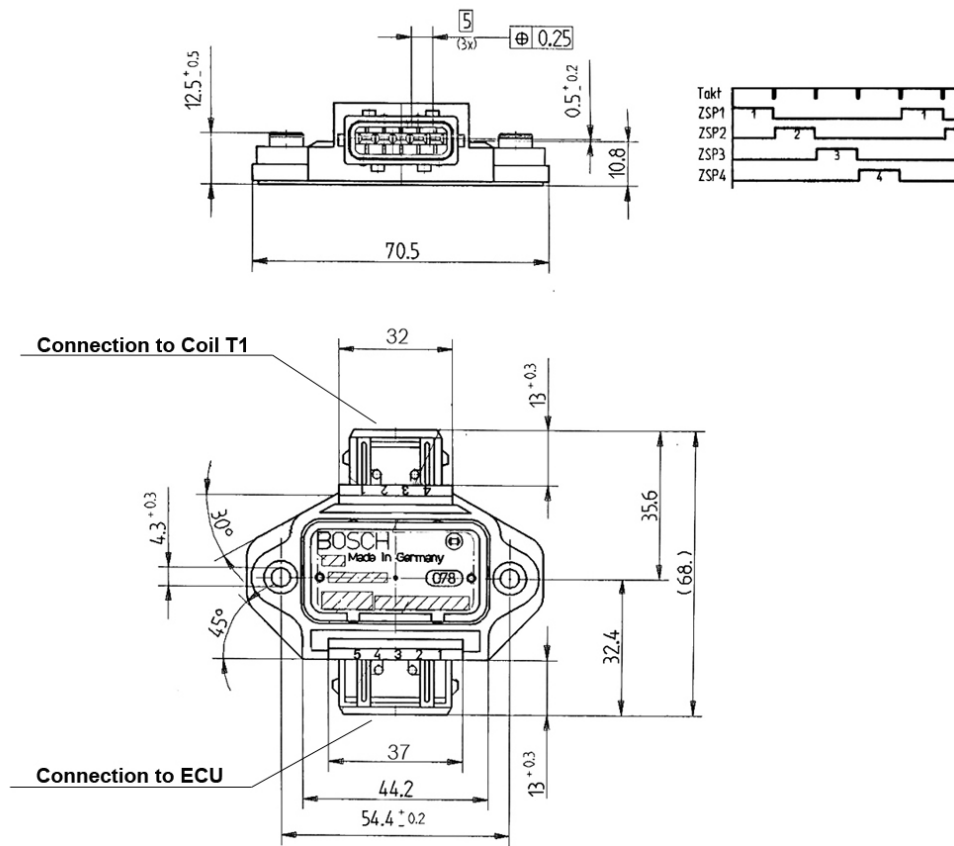
Ordering Information

Ignition Module IM 4

Order number **0 227 100 211**

Dimensions





Represented by:

Europe:
 Bosch Engineering GmbH
 Motorsport
 Robert-Bosch-Allee 1
 74232 Abstatt
 Germany
 Tel.: +49 7062 911 9101
 Fax: +49 7062 911 79104
 motorsport@bosch.com
 www.bosch-motorsport.de

North America:
 Bosch Engineering North America
 Motorsport
 38000 Hills Tech Drive
 Farmington Hills, MI 48331-3417
 United States of America
 Tel.: +1 248 876 2977
 Fax: +1 248 876 7373
 motorsport@bosch.com
 www.bosch-motorsport.com

Latin America:
 Robert Bosch Ltda
 Motorsport
 Av Juscelino Kubitschek de Oliveira
 11800
 Zip code 81460-900 Curitiba - Parana
 Brasilia
 Tel.: +55 41 3341 2057
 Fax: +55 41 3341 2779

Asia-Pacific:
 Bosch Engineering Japan K.K.
 Motorsport
 18F Queen's Tower C, 2-3-5 Minato
 Mirai Nishi-ku, Yokohama-shi
 Kanagawa 220-6218
 Japan
 Tel.: +81 45 650 5610
 Fax: +81 45 650 5611
 www.bosch-motorsport.jp

Australia, New Zealand and South Africa:
 Robert Bosch Pty. Ltd
 Motorsport
 1555 Centre Road
 Clayton, Victoria, 3168
 Australia
 Tel.: +61 (3) 9541 3901
 motor.sport@au.bosch.com