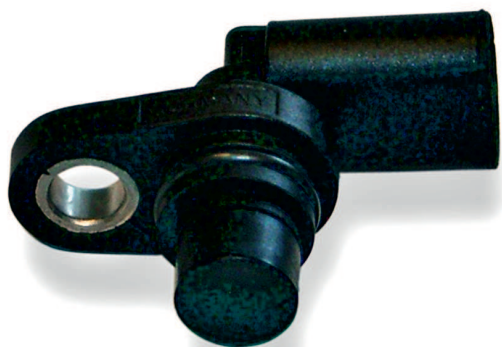


Hall-Effect Speed Sensor HA-P2



- ▶ Camshaft/crankshaft/wheel speed
- ▶ 15 mm depth
- ▶ Very small housing
- ▶ Very light weight
- ▶ Active low

This sensor is designed for incremental measurement of rotational speed (e.g. camshaft, crankshaft or wheelspeed).

Due to the rotation of a ferromagnetic target wheel in front of the HA-P2, the magnetic field is modulated at the place of the Hall probe. A Hall-effect sensor element with integrated signal conditioning circuit detects this change and generates a digital output signal.

The main feature and benefit of this sensor is the combination of a high quality production part, robust design, very small housing and low weight.

Application

Application

Application	Speed
Max. frequency	≤10 kHz
Target wheel air gap	0.5 to 2.5 mm
Temperature range	-40 to 160°C
Output circuit	Open collector for 1 kOhm
Output type	Active low
External magnetic fields	< 0.1 mT
Max. vibration	400 m/s ² at 10 Hz to 2 kHz

Technical Specifications

Mechanical Data

Weight w/o wire	12 g
Bore diameter	15 mm
Installation depth L2	15 mm
Mounting	With screw 1 x M6

Tightening torque	8 Nm
-------------------	------

Electrical Data

Power supply US	4.75 to 18 V
Current Is	10 mA

Characteristic

Accuracy repeatability of the falling edge of tooth	
up to 1.5 mm	< 4 % (≤ 10 kHz)
up to 2.5 mm	< 8 % (≤ 10 kHz)
Signal output	0.4 V to < U _s

Connectors and Wires

Connector	Hirschmann 872-658-501 Cod.A
Mating connector	F 02U B00 520-01
Pin 1	U _s
Pin 2	Sig
Pin 3	Gnd

Environment

Target wheel diameter D	162.34 mm
Thickness t	12.5 mm
Width of teeth b1	3.8 mm
Width of gap b2	4.7 mm
Width of sync. gap b3	20.79 mm
Depth of teeth h1	3.4 mm
Number of teeth	60-2

Installation Notes

Application Notes

The HA-P2 can be connected directly to most control units and data logging systems.

Please avoid abrupt temperature changes.

For mounting please use only the integrated plug.

If a wheel with different dimensions is used (see Environment), the technical function has to be tested individually.

Please ensure that the environmental conditions do not exceed the sensor specifications.

Please find further application hints in the offer drawing at our homepage.

Safety Note

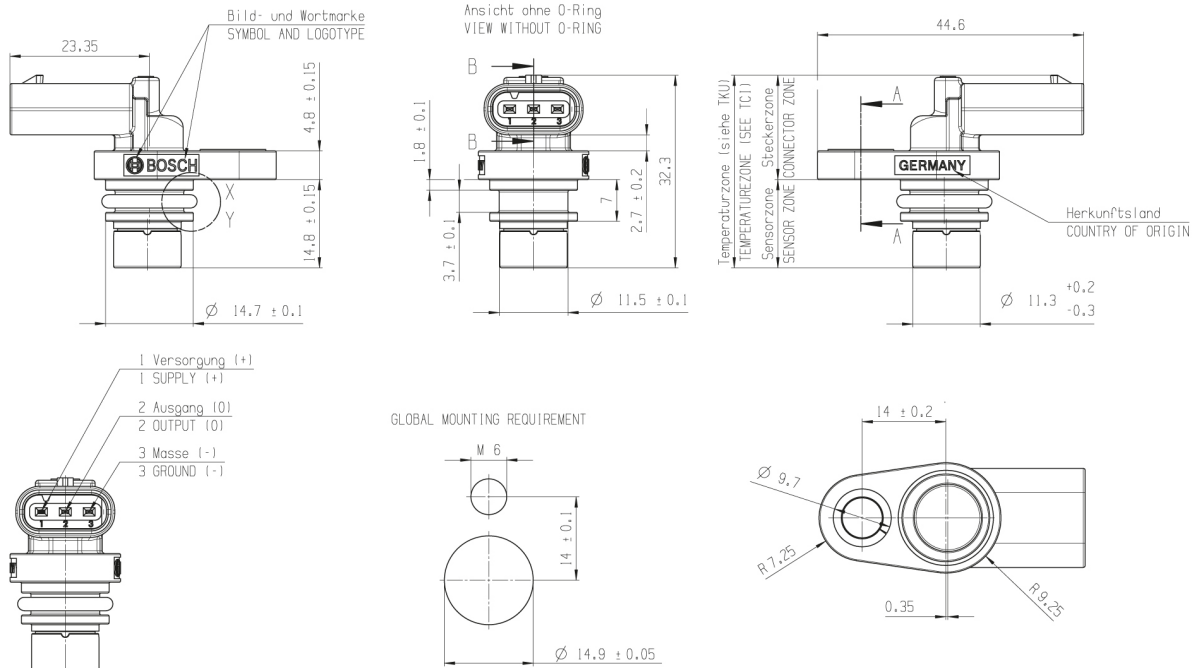
The sensor is not intended to be used for safety related applications without appropriate measures for signal validation in the application system.

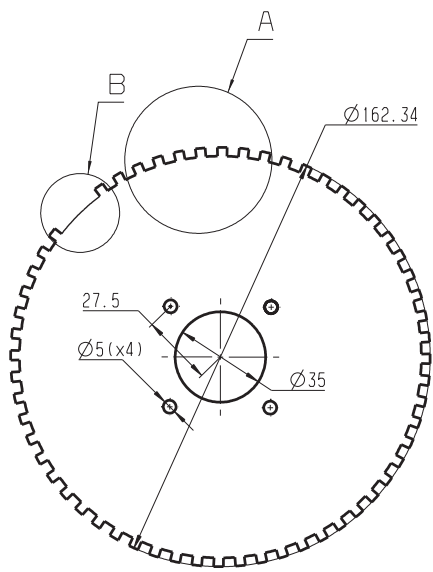
Ordering Information

Hall-Effect Speed Sensor HA-P2

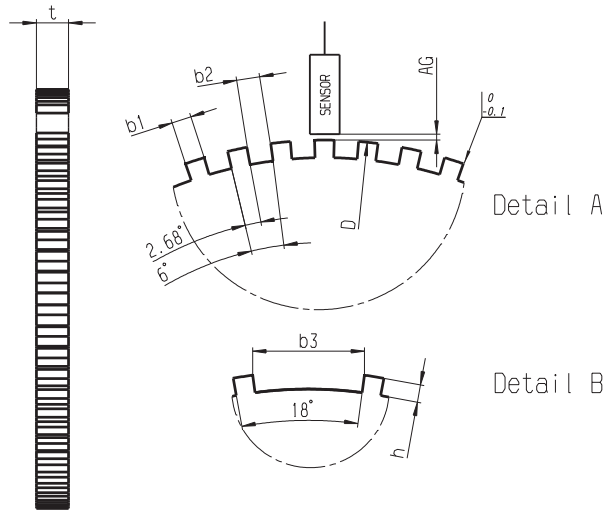
Order number **0 232 103 111**

Dimensions





60-2 Teeth



Left view

Represented by:

Europe:
 Bosch Engineering GmbH
 Motorsport
 Robert-Bosch-Allee 1
 74232 Abstatt
 Germany
 Tel.: +49 7062 911 9101
 Fax: +49 7062 911 79104
 motorsport@bosch.com
 www.bosch-motorsport.de

North America:
 Bosch Engineering North America
 Motorsport
 38000 Hills Tech Drive
 Farmington Hills, MI 48331-3417
 United States of America
 Tel.: +1 248 876 2977
 Fax: +1 248 876 7373
 motorsport@bosch.com
 www.bosch-motorsport.com

Latin America:
 Robert Bosch Ltda
 Motorsport
 Av Juscelino Kubitscheck de Oliveira
 11800
 Zip code 81460-900 Curitiba - Parana
 Brasilia
 Tel.: +55 41 3341 2057
 Fax: +55 41 3341 2779

Asia-Pacific:
 Bosch Engineering Japan K.K.
 Motorsport
 18F Queen's Tower C, 2-3-5 Minato
 Mirai Nishi-ku, Yokohama-shi
 Kanagawa 220-6218
 Japan
 Tel.: +81 45 650 5610
 Fax: +81 45 650 5611
 www.bosch-motorsport.jp

Australia, New Zealand and South Africa:
 Robert Bosch Pty. Ltd
 Motorsport
 1555 Centre Road
 Clayton, Victoria, 3168
 Australia
 Tel.: +61 (3) 9541 3901
 motor.sport@au.bosch.com