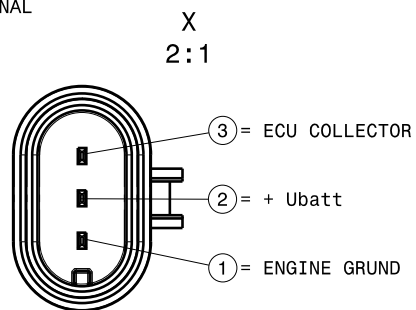
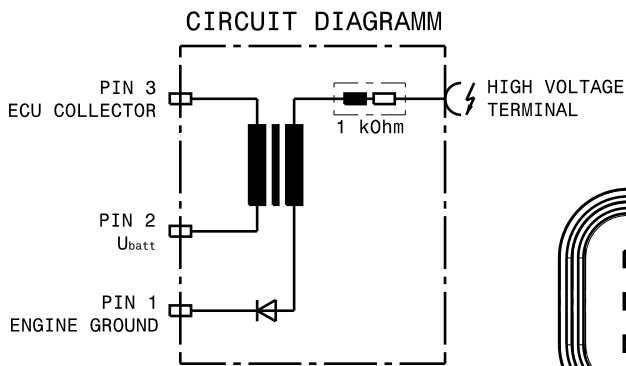
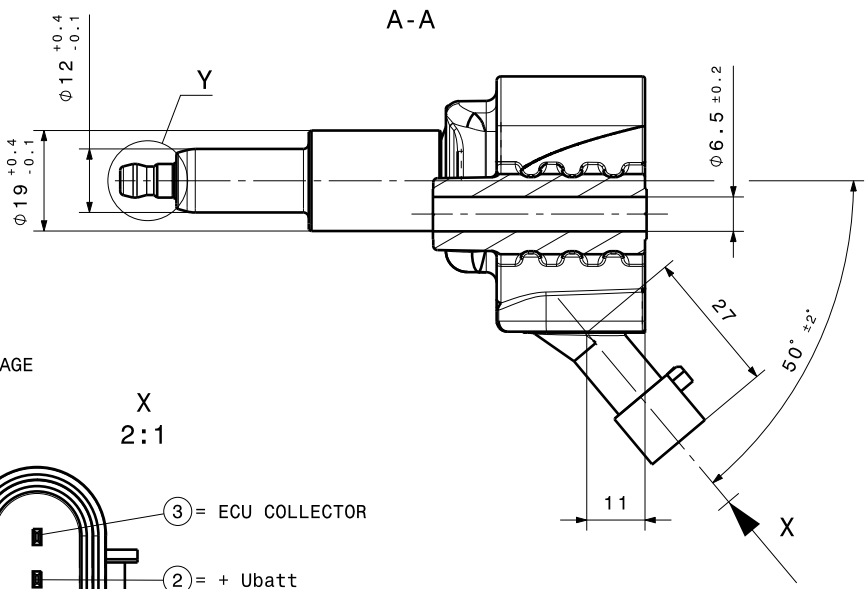
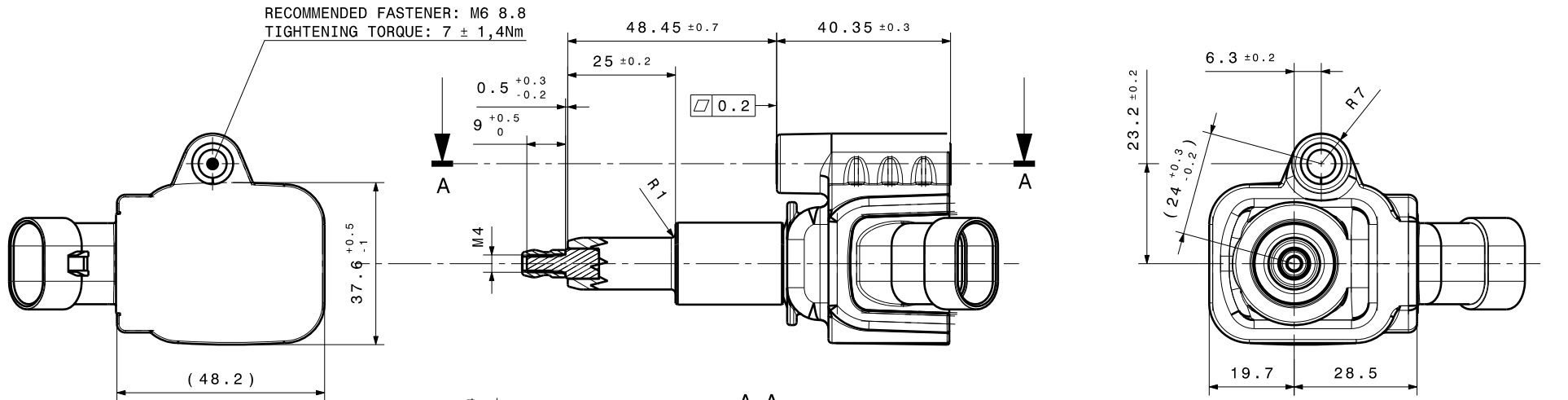


© Bosch Engineering GmbH. Alle Rechte vorbehalten, auch bzgl. jeder Verfügung, Verwertung, Reproduktion, Bearbeitung, Weitergabe sowie für den Fall von Schutzrechtsanmeldungen.

© Bosch Engineering GmbH. All rights reserved, also regarding any disposal, exploitation, reproduction, editing, distribution, as well as in the event of applications for industrial property rights.



AMP C-284425-1, 3PINS, POLARIZATION 1
 CUSTOMER HAS TO ASSURE THE CONTINUOUS STABILITY OF THE CONNECTION SYSTEM.
 BOSCH DOES NOT ACCEPT LIABILITY FOR DEFECTS OF THE CONNECTION SYSTEM.

CAUTION:
 PRIMARY CONNECTION HAS DANGEROUS VOLTAGE!
 DO NOT USED WITHOUT SPARK PLUG CONNECTOR!

general tolerances for/Allgemeintoleranzen fuer		
lin. dim./L.masse	radii/radien	angles/winkel
±0,5	±0,5	2°
all linear dimensions in/ Alle Laengenmasse in		mm
size acc. to / Masse nach ISO 14405-1:2010-12		
envelope principle / Huellprinzip		(E)

01 erstellt	20151002	SqW	LrH	WzP	6/20BEG/MSD-P
nd. Change/Aenderung	YYYYMMDD	Drawn/Gez.	Checked/Gepr.	Releas./Freig.	BWN
Responsible/Verantw. Abt.	Add. info./Zus. Info.				
Lang./Spr.	Syst.	Wght./Gew.	Ignition Coil Zuendspule		Coil P65-ws
en/de	CAT	ca. 210g	BOSCH		Coil P65-ws
Scale/M.stab	1:1	OFFER DRAWING ANGEBOTSZEICHN.		Doc.type AGZ	F 02U V01 926-01
MNR	Repl. for		Repl. by		DP/TD Ind. Format 000 01 A3