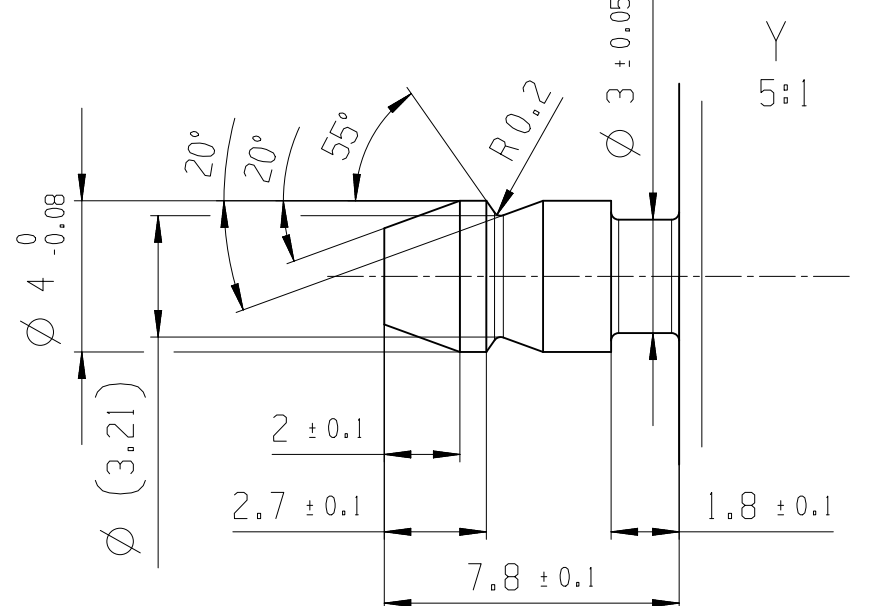
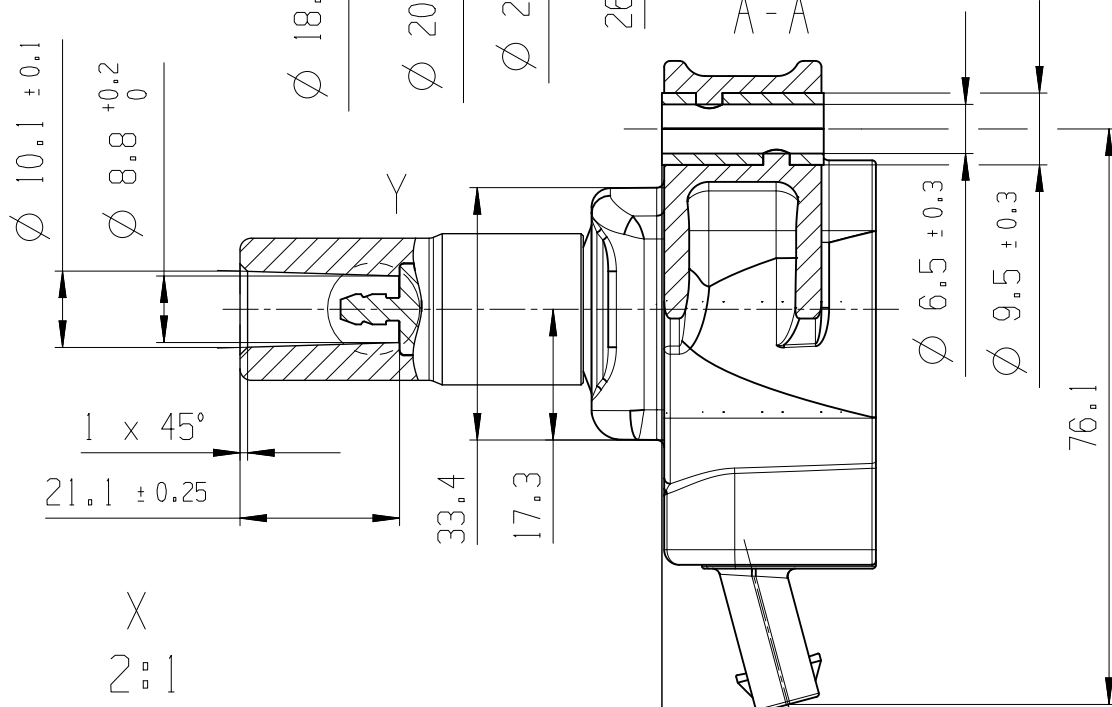
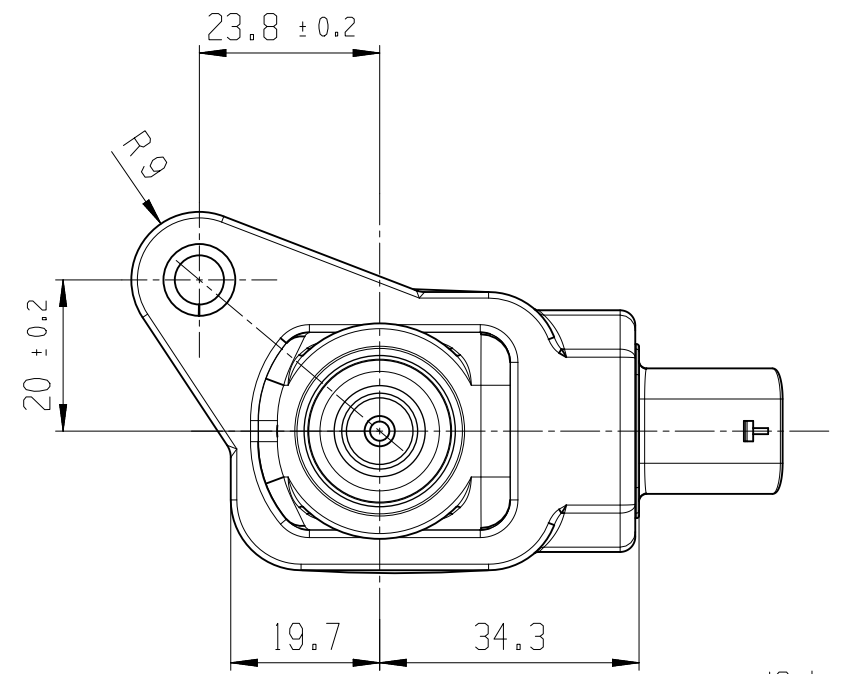
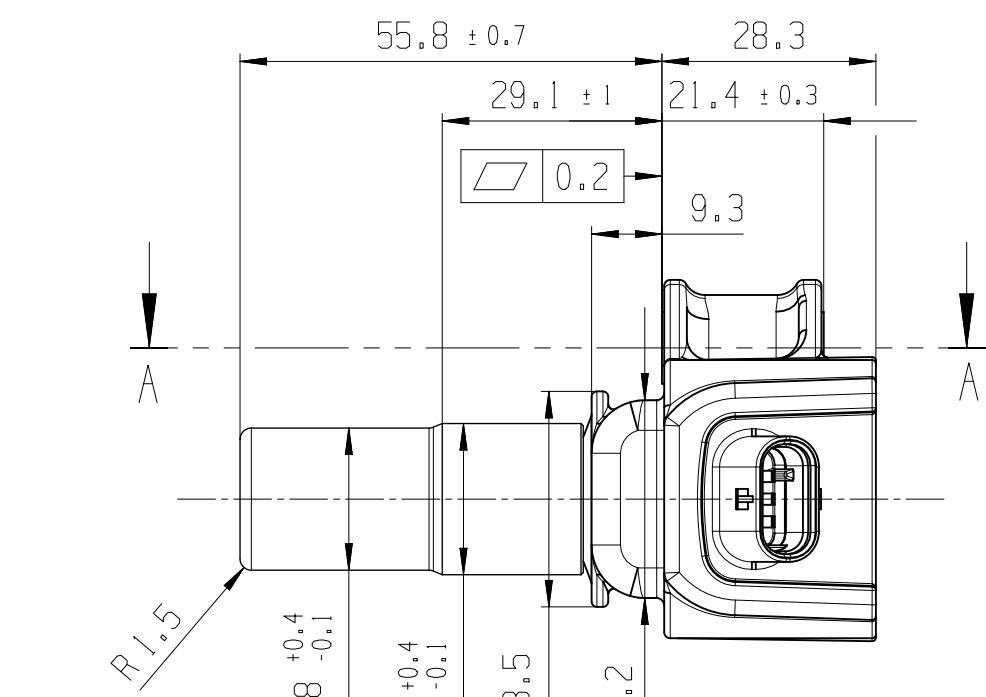
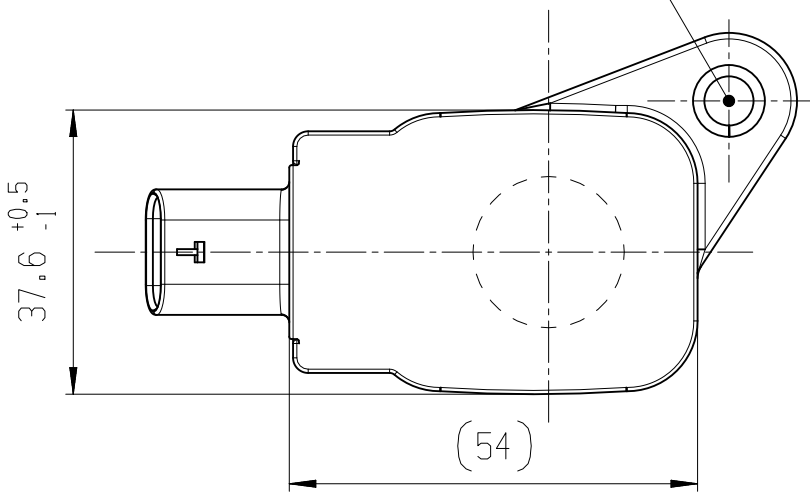


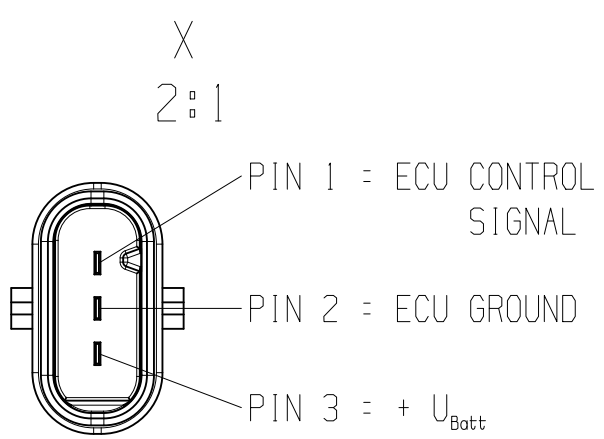
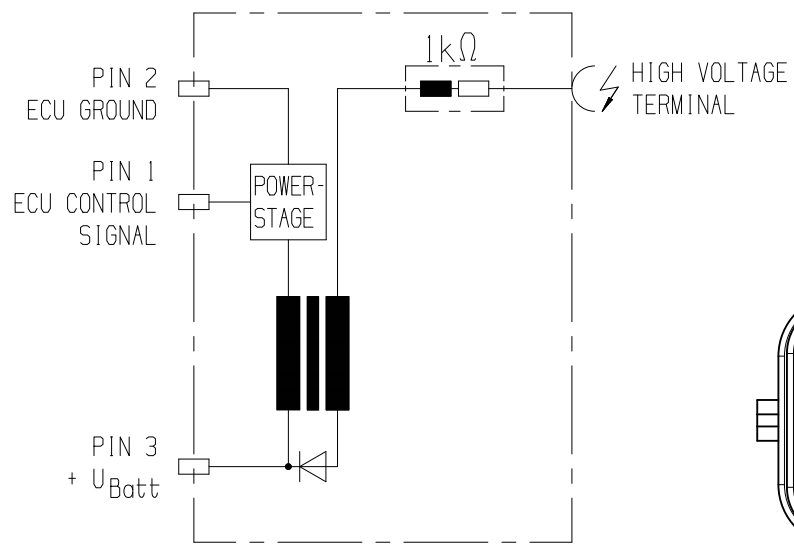
©Bosch Engineering GmbH. All rights reserved. All Rechte vorbehalten, auch bzgl. jeder Verfertigung, Verwertung, Reproduktion, Bearbeitung, Weitergabe sowie fuer den Fall von Schutzrechtsanmeldungen.

©Bosch Engineering GmbH. All rights reserved, also regarding any disposal, exploitation, reproduction, editing, distributing, as well as in the event of applications for industrial property rights.

RECOMMENDED FASTENER: M6 8.8
TIGHTENING TORQUE: 8 ± 1 Nm



CIRCUIT DIAGRAMM



X
2:1

CAUTION:
ENSURE THAT THE CONNECTION BETWEEN THE IGNITION COIL AND THE SPARK PLUG IS ALWAYS ESTABLISHED!
DURING OPERATION, A DANGEROUS HIGH VOLTAGE ARE PRESENT ON THE PRIMARY AND SECONDARY SIDE OF THE COIL!

3PINS TINNED (TYCO)
COSTUMER HAS TO ASSURE THE CONTINUOUS STABILITY OF THE CONNECTION SYSTEM. BOSCH DOES NOT ACCEPT LIABILITY FOR DEFECTS OF THE CONNECTION SYSTEM.

general tolerances for/Allgemeintoleranzen fuer		
lin. dim./L.-masse	radii/Radien	angles/Winkel
±0.5mm	±0.5mm	±2°
all linear dimensions in/ Alle Laengenmasse in		mm
Size acc. to / Masse nach ISO 14405-1:2010-12		
envelope principle/ Huellprinzip		Ⓔ

ORDER NUMBER Bestellnummer	F 02U V02429-01						
01 F02UC02742	20160613	1hb2si	ooc2si	wpt2si	6720	BEG/MSD	
Ind.	Change/Aend.	YYYYMMDD	Drawn/Gez.	Checked/Gepr.	Releas./Freig.	BWN	Resp. dept./Verantw. Abt.
Lang./Spr.	Syst.	Wght./Gew.	BOSCH		IGNITION COIL ZUENDSPULE		Sheet/Bl.
en/de	UG	ca. 215g			COIL P65-TWG COIL P65-TWG		1 / 1
MNR	Scale/M.stab	1:1	OFFER DRAWING ANGEBOTSZEICHN.		Doc. type AGZ	F 02U A02 429-01	DP/TD 000
			Repl. for		Repl. by		Ind. 01
							Format A3