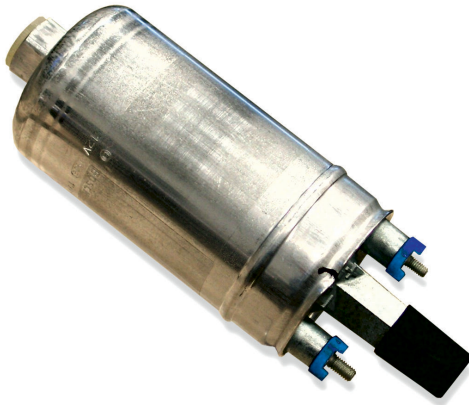




## Fuel Pump FP 165



- ▶ >165 l/h
- ▶ 980 g
- ▶ Max. 5 bar
- ▶ Fuel lines screwed

The FP 165 is an inline roller cell pump for the installation outside the fuel tank.

It is capable of providing 165 l/h at 5 bar. Bio-fuel can be delivered up to E85.

The FP 165 is a production type fuel pump, combining good quality at a low price.

### Application

Fuel pressure	5 bar
Delivery rate at 5 bar and 22°C	205 ± 5 l/h
Pressure limiting valve	7 to 12.5 bar rel.
Fuel compatibility	E85
Operating temperature range	-20 to 90°C
Storage temperature range	-40 to 70°C
Max. vibration	3 mm at 10 to 18 Hz ≤40 m/s <sup>2</sup> at 18 to 60 Hz

### Technical Specifications

#### Mechanical Data

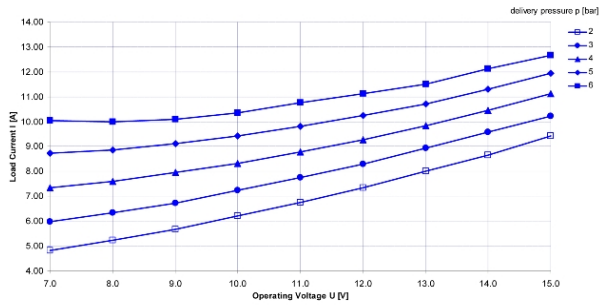
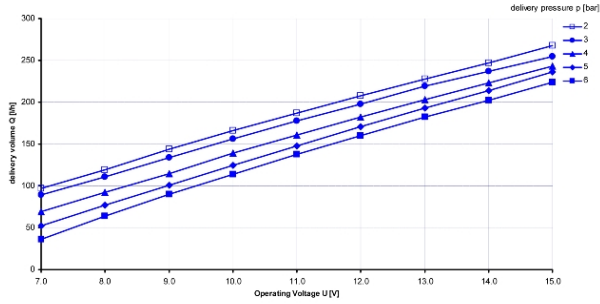
Diameter	60 mm
Length	168 mm
Weight	980 g
Mounting	Clamping

#### Electrical Data

Supply voltage	6 to 16.5 V
Operating voltage	13.8 V
Load current at 5 bar and 22 °C	11.0 ± 2 A

#### Characteristic

Surface coating	None
Color	Silver
Non-return valve	Internal
Fuel filtering	External, on pressure side



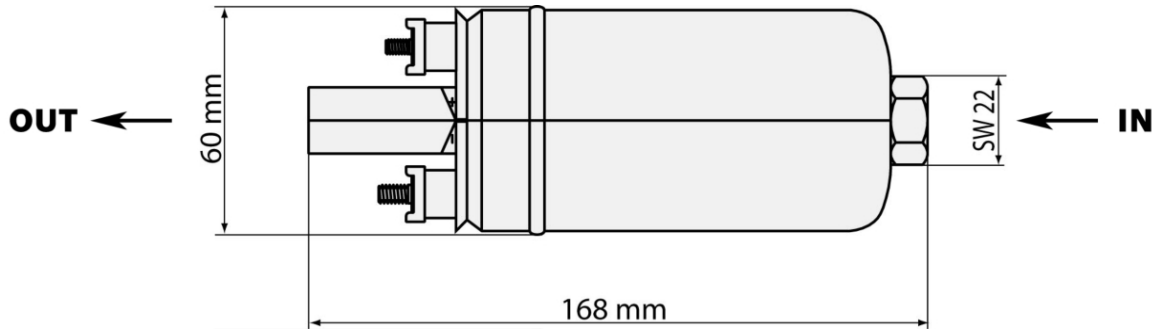
**Connectors and Wires**

Electrical connector	+M4/-M5
Electrical matting connector	with ring wire M4 and M5
Mechanical connector intake side	M14x1.5
Mechanical connector pressure side	M12x1.5

**Installation Notes**

- With E26/E85 or Diesel fuel run-time max. 500 h.
- For technical reasons the values may vary.
- Please use within the specified limit values only.
- Please find further application hints in the offer drawing at our homepage.

**Dimensions**



**Ordering Information**

Fuel Pump FP 165

0 580 254 979

**Europe:**  
 Bosch Engineering GmbH  
 Motorsport  
 Robert-Bosch-Allee 1  
 74232 Abstatt  
 Germany  
 Tel.: +49 7062 911 79101  
 Fax: +49 7062 911 79104  
 motorsport@bosch.com  
 www.bosch-motorsport.de

**North and South America:**  
 Bosch Engineering North America  
 Motorsports  
 38000 Hills Tech Drive  
 Farmington Hills, MI 48331-3417  
 United States of America  
 Tel.: +1 248 876 2977  
 Fax: +1 248 876 7373  
 motorsport@bosch.com  
 www.bosch-motorsport.com

**Asia Pacific:**  
 Bosch Engineering Japan K.K.  
 Motor Sport Department  
 3-33-8 Tsuruya-cho, Kanagawa-ku, Yokohama-shi  
 Kanagawa 221-0835  
 Japan  
 Tel.: +81 45 410 1650  
 Fax: +81 45 410 1651

**Represented by**