



# Linear Potentiometer LP 25



- ▶ Measurement range 0 to 25 mm
- ▶ Aluminum housing
- ▶ Low power consumption

The LP 25 is a linear potentiometer which is designed to measure the relative position of two point e.g. the gear position, throttle position or suspension movement.

Its operating mode is based on the linear tape potentiometer principle where the distance travelled between the moving end to the wiper is proportional to the resistance between them.

The advantage of this LP is its precise and compact design with an anodized aluminum cylindrical housing and low power consumption.

## Application

|                   |             |
|-------------------|-------------|
| Application       | 0 to 25 mm  |
| Temperature range | -40 to 85°C |

## Technical Specifications

### Mechanical Data

|                     |         |
|---------------------|---------|
| Weight w/o wire     | 68 g    |
| Min. length         | 147 mm  |
| Mounting            | 2 x M5  |
| Tightening torque   | 10 Nm   |
| Protection          | IP65    |
| Max. shaft velocity | 1 m/sec |

### Electrical Data

|                      |        |
|----------------------|--------|
| Power supply         | 5 V    |
| Power supply max.    | 22 V   |
| Nominal resistance   | 1 kΩ   |
| Resistance tolerance | 10 %   |
| Non-linearity        | 0.25 % |

### Connectors and Wires

|                |                  |
|----------------|------------------|
| Connector      | ASL 6-06-05SA-HE |
| Connector loom | ASL 0-06-05PA-HE |
| Pin 1          | U <sub>S</sub>   |
| Pin 2          | Gnd              |
| Pin 3          | Sig              |
| Pin 4          | -                |
| Pin 5          | -                |

|   |              |
|---|--------------|
| Sleeve  | DR-25        |
| Wire size   | AWG 24       |
| Wire length L   | 15 to 200 cm |
| Various motorsports and automotive connectors on request. |              |
| Please specify the requested wire length with your order. |              |

### Installation Notes

The LP 25 can be connected directly to most electronic control units and data logging systems.

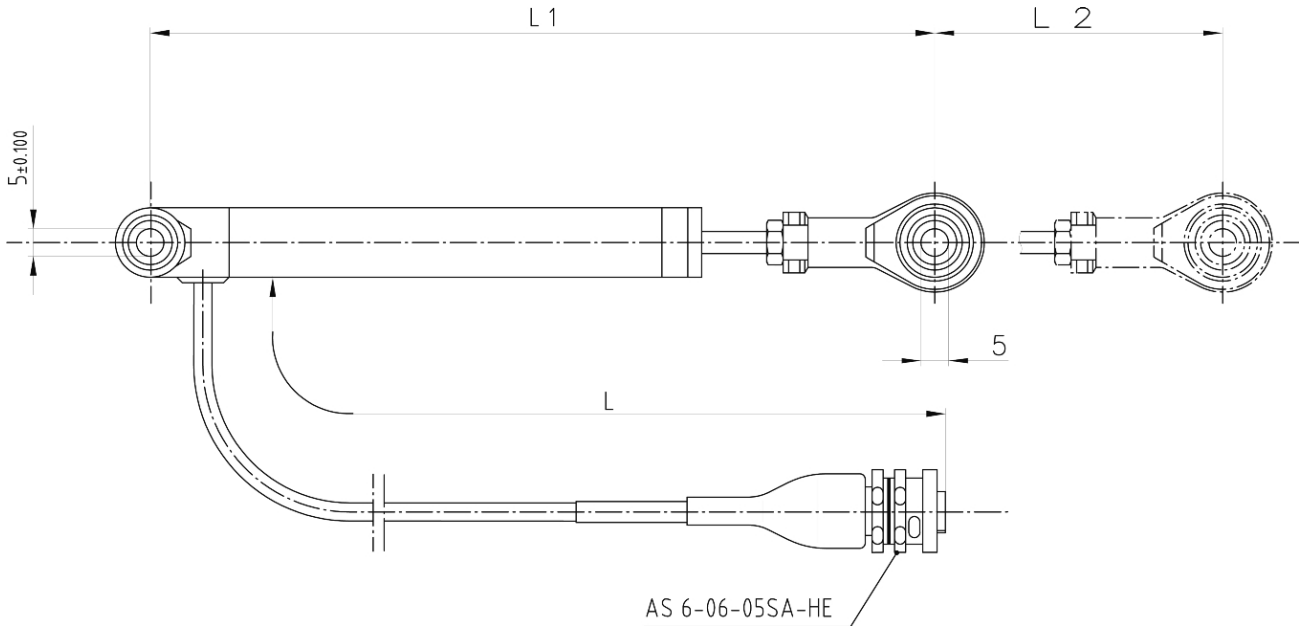
Optional mounting modifications are available.

Each mounting orientation is possible.

Comes with a spring return shaft.

Please find further application hints in the offer drawing at our homepage.

### Dimensions



### Ordering Information

Linear Potentiometer LP 25

B 261 209 547

**Europe:**  
 Bosch Engineering GmbH  
 Motorsport  
 Robert-Bosch-Allee 1  
 74232 Abstatt  
 Germany  
 Tel.: +49 7062 911 79101  
 Fax: +49 7062 911 79104  
 motorsport@bosch.com  
 www.bosch-motorsport.de

**North and South America:**  
 Bosch Engineering North America  
 Motorsports  
 38000 Hills Tech Drive  
 Farmington Hills, MI 48331-3417  
 United States of America  
 Tel.: +1 248 876 2977  
 Fax: +1 248 876 7373  
 motorsport@bosch.com  
 www.bosch-motorsport.com

**Asia Pacific:**  
 Bosch Engineering Japan K.K.  
 Motor Sport Department  
 3-33-8 Tsuruya-cho, Kanagawa-ku, Yokohama-shi  
 Kanagawa 221-0835  
 Japan  
 Tel.: +81 45 410 1650  
 Fax: +81 45 410 1651

**Represented by**