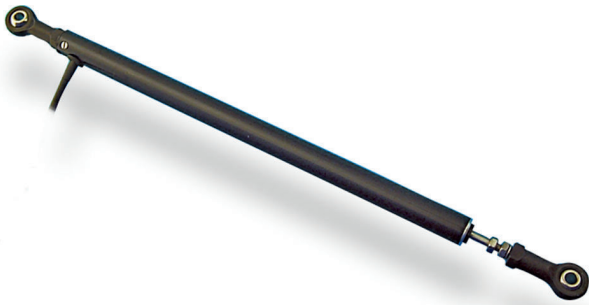




Linear Potentiometer LP 100



- ▶ **Measurement range: 0 to 100 mm**
- ▶ **Aluminum housing**
- ▶ **Low power consumption**

The LP 100 is a linear potentiometer which is designed to measure the relative position of two points e.g. the gear position, throttle position or suspension movement.

Its operating mode is based on the linear tape potentiometer principle where the distance travelled between the moving end to the wiper is proportional to the resistance between them.

The advantage of this LP is its precise and compact design with an anodized aluminum cylindrical housing, low power consumption and infinite resolution.

Application

Application	0 to 100 mm
Temperature range	-30 to 100°C
Max. vibration	126 m/s ² at 10 to 12kHz
Application	0 to 100 mm

Technical Specifications

Mechanical Data

Weight w/o wire	85 g
Min. length	284.6 mm
Mounting	2 x M5
Tightening torque	10 Nm
Protection	IP66
Max. shaft velocity	10 m/sec

Electrical Data

Power supply	5 V
Power supply max.	74 V
Nominal resistance	4 kΩ
Resistance tolerance	10 %
Non-linearity	0.15 %
Power supply	5 V

Connectors and Wires

Connector	ASL 6-06-05PA-HE
Connector loom	ASL 0-06-05SA-HE
Pin 1	U _S
Pin 2	Gnd
Pin 3	Sig
Pin 4	-

Pin 5	-
Sleeve	DR-25
Wire size	AWG 24
Wire length L	15 to 25 cm
Various motorsports and automotive connectors on request.	
Please specify the requested wire length with your order.	

Installation Notes

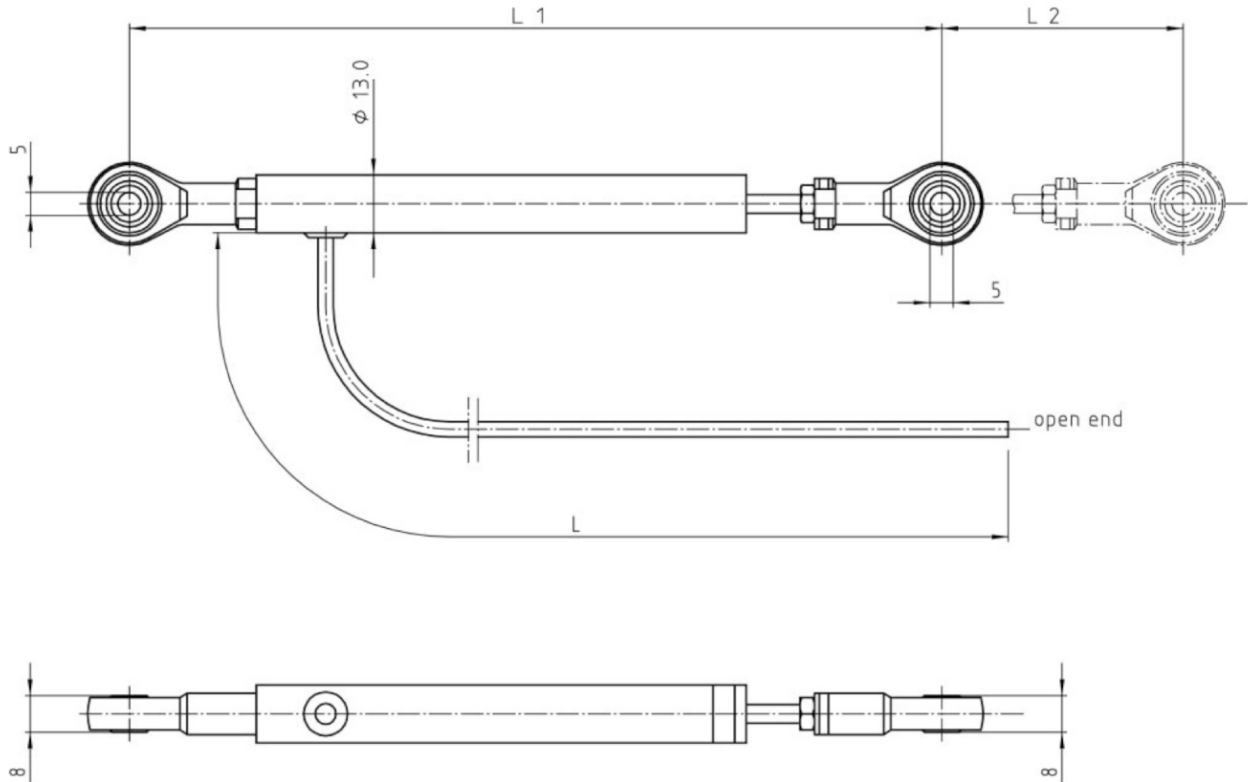
The LP 100 can be connected directly with most electronic control units and data logging systems.

Ball joints at shaft end and case.

Each mounting orientation is possible.

Please find further application hints in the offer drawing at our homepage.

Dimensions



Ordering Information

Linear Potentiometer LP 100

B 261 209 857-01

Europe:
 Bosch Engineering GmbH
 Motorsport
 Robert-Bosch-Allee 1
 74232 Abstatt
 Germany
 Tel.: +49 7062 911 79101
 Fax: +49 7062 911 79104
 motorsport@bosch.com
 www.bosch-motorsport.de

North and South America:
 Bosch Engineering North America
 Motorsports
 38000 Hills Tech Drive
 Farmington Hills, MI 48331-3417
 United States of America
 Tel.: +1 248 876 2977
 Fax: +1 248 876 7373
 motorsport@bosch.com
 www.bosch-motorsport.com

Asia Pacific:
 Bosch Engineering Japan K.K.
 Motor Sport Department
 3-33-8 Tsuruya-cho, Kanagawa-ku, Yokohama-shi
 Kanagawa 221-0835
 Japan
 Tel.: +81 45 410 1650
 Fax: +81 45 410 1651

Represented by