



Linear Potentiometer LP 25 twin



- ▶ Measurement range 0 to 25 mm
- ▶ Double output
- ▶ Aluminum housing

The LP 25 twin is a linear potentiometer which is designed to measure the relative position of two point e.g. the gear position, throttle position or suspension movement and for use in electronic throttle control systems.

Its operating mode is based on the linear tape potentiometer principle where the distance travelled between the moving ends to the wiper is proportional to the resistance between them.

The advantage of this LP is its precise and compact design with an anodized aluminum cylindrical housing, low power consumption and infinite resolution.

Application

Application	0 to 25 mm
Temperature range	-30 to 100°C

Technical Specifications

Mechanical Data

Weight w/o wire	60 g
Min. length	95 mm
Mounting	Ø 3 mm
Protection	IP66
Max. shaft velocity	< 10 m/sec

Electrical Data

Power supply	5 V
Power supply max.	22 V
Nominal resistance	1 kΩ
Resistance tolerance	10 %
Non-linearity	0.25 %

Connectors and Wires

Connector	AS 6-07-35PN
Connector loom	AS 0-07-35SN
Pin 1	U _S 1
Pin 2	Gnd 1
Pin 3	Sig 1
Pin 4	U _S 2
Pin 5	Gnd 2
Pin 6	Sig 2

Sleeve	DR-25
Wire size	AWG 24
Wire length L	15 to 25 cm
Various motorsports and automotive connectors on request.	
Please specify the requested wire length with your order.	

Installation Notes

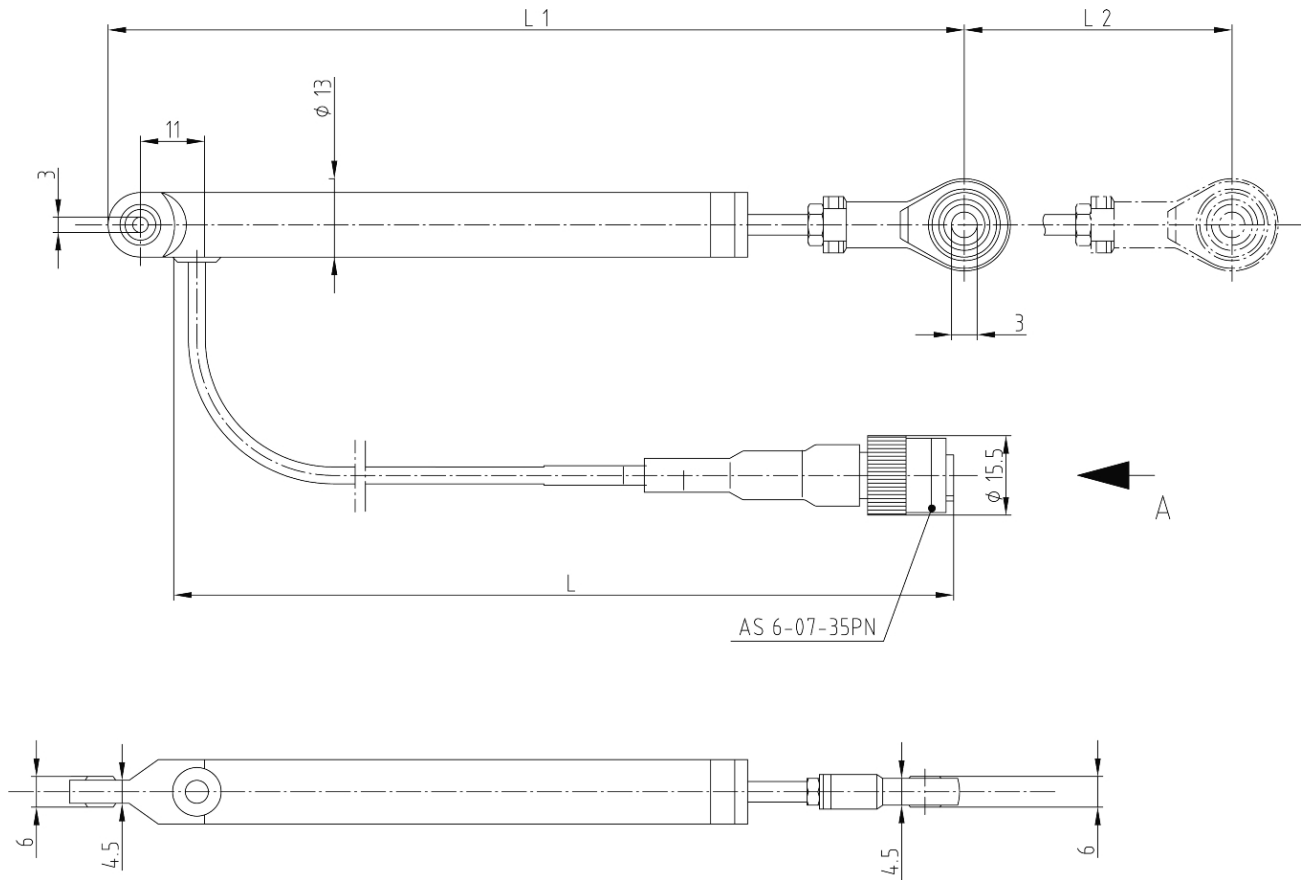
The LP 25 twin can be connected directly to most electronic control units and data logging systems.

Application where redundant signals are necessary to ensure system runs failsafe.

Each mounting orientation is possible.

Please find further application hints in the offer drawing at our homepage.

Dimensions



Ordering Information

Linear Potentiometer LP 25 twin

B 261 209 858

Europe:
Bosch Engineering GmbH
Motorsport
Robert-Bosch-Allee 1
74232 Abstatt
Germany
Tel.: +49 7062 911 79101
Fax: +49 7062 911 79104
motorsport@bosch.com
www.bosch-motorsport.de

North and South America:
Bosch Engineering North America
Motorsports
38000 Hills Tech Drive
Farmington Hills, MI 48331-3417
United States of America
Tel.: +1 248 876 2977
Fax: +1 248 876 7373
motorsport@bosch.com
www.bosch-motorsport.com

Asia Pacific:
Bosch Engineering Japan K.K.
Motor Sport Department
3-33-8 Tsuruya-cho, Kanagawa-ku, Yokohama-shi
Kanagawa 221-0835
Japan
Tel.: +81 45 410 1650
Fax: +81 45 410 1651

Represented by