



# Fuel Pressure Regulator Mini A



- ▶ 2.2 to 3.5 bar/3.5 to 5 bar
- ▶ Pressure adjustable
- ▶ 15 to 220 l/h reflow
- ▶ Sheet steel housing

Fuel pressure regulators are used to maintain constant fuel pressure at the injection valves.

This regulator based on a production type regulator was specially designed for motorsport applications.

The main benefit of this regulator is the adjustability of the fuel pressure.

## Application

Pressure range	2.2 to 3.5 bar 3.5 to 5.0 bar
Reflow quantity	15 to 220 l/h
Reference pressure connector	Diam. 5 mm, tube connector
Fuel compatibility	Gasoline, E85, M15
Operating temperature	-40 to 120°C
Storage temperature	-40 to 100°C
Max. vibration	<400 m/s <sup>2</sup> at 5 to 250 Hz

## Technical Specifications

### Mechanical Data

Diameter	34.9 mm
Weight	58 g
Mounting	Fastening with a clip

## Connectors and Wires

Connector supply	Diam. 25 mm, O-ring
Connector reflow	Diam. 9.15 mm, O-ring

## Installation Notes

The tube connector at the housing can be used to supply reference pressure to the regulator. This can be atmospheric pressure, air box pressure or manifold pressure.

Never run the regulator without the integrated filter.

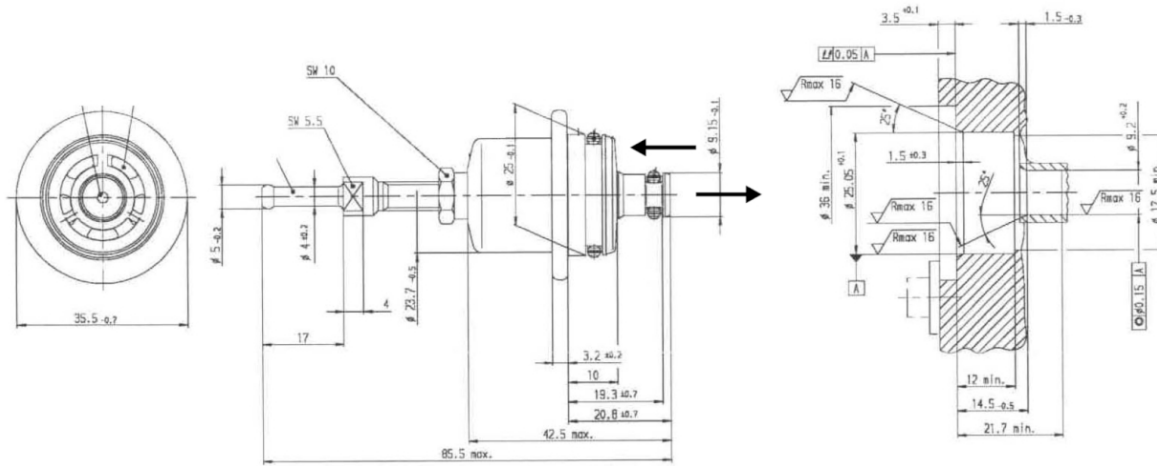
Please oil O-rings lightly before you install the regulator.

Please make a leak test after you have installed the regulator.

When the pressure regulator is removed and will be reused, the O-rings must be tested for fractures.

Operation with air is not allowed.

Dimensions



Ordering Information

2.2 to 3.5 bar

B 280 550 340-03

3.5 to 5 bar

B 280 550 341-03

**Europe:**  
 Bosch Engineering GmbH  
 Motorsport  
 Robert-Bosch-Allee 1  
 74232 Abstatt  
 Germany  
 Tel.: +49 7062 911 79101  
 Fax: +49 7062 911 79104  
 motorsport@bosch.com  
 www.bosch-motorsport.de

**North and South America:**  
 Bosch Engineering North America  
 Motorsports  
 38000 Hills Tech Drive  
 Farmington Hills, MI 48331-3417  
 United States of America  
 Tel.: +1 248 876 2977  
 Fax: +1 248 876 7373  
 motorsport@bosch.com  
 www.bosch-motorsport.com

**Asia Pacific:**  
 Bosch Engineering Japan K.K.  
 Motor Sport Department  
 3-33-8 Tsuruya-cho, Kanagawa-ku, Yokohama-shi  
 Kanagawa 221-0835  
 Japan  
 Tel.: +81 45 410 1650  
 Fax: +81 45 410 1651

**Represented by**