

Fuel Pressure Regulator Mini 5

www.bosch-motorsport.com



- ▶ 5 bar
- ▶ 15 to 220 l/h reflow
- ▶ Adjusted at 105 l/h
- ▶ Sheet steel housing

Fuel pressure regulators are used to maintain constant fuel pressure at the injection valves.

We modified this production type based regulator especially for motorsport use and increased the pressure level.

The main benefit of this regulator include the competitively priced high quality and the high return flow rate.

Application

Pressure range	5 bar
Reflow quantity	15 to 220 l/h
Reference pressure connector	Diam. 5 mm, tube connector
Fuel compatibility	Gasoline, E85, M15
Operating temperature	-40 to 120°C
Storage temperature	-40 to 100°C
Max. vibration	<600 m/s ² at 5 to 250 Hz

Technical Specifications

Mechanical Data

Diameter	34.9 mm
Weight	48.5 g
Mounting	Fastening with a clip

Characteristic

Set pressure accuracy	±2 % at 105 l/h
-----------------------	-----------------

Connectors and Wires

Connector supply	Diam. 25 mm, O-ring
Connector reflow	Diam. 9.15 mm, O-ring

Installation Notes

The tube connector at the housing can be used to supply reference pressure to the regulator. This can be atmospheric pressure, air box pressure or manifold pressure.

Never run the regulator without the integrated filter.

Please oil O-rings lightly with clean and silicone free engine oil before you install the regulator.

Please make a leak test after you have installed the regulator.

When the pressure regulator is removed and will be reused, the O-rings must be tested for fractures.

Operation of the pressure regulator with a medium other than gasoline is not allowed.

This pressure regulator is not designed for in-tank mounting.

Ordering Information

Fuel Pressure Regulator Mini 5

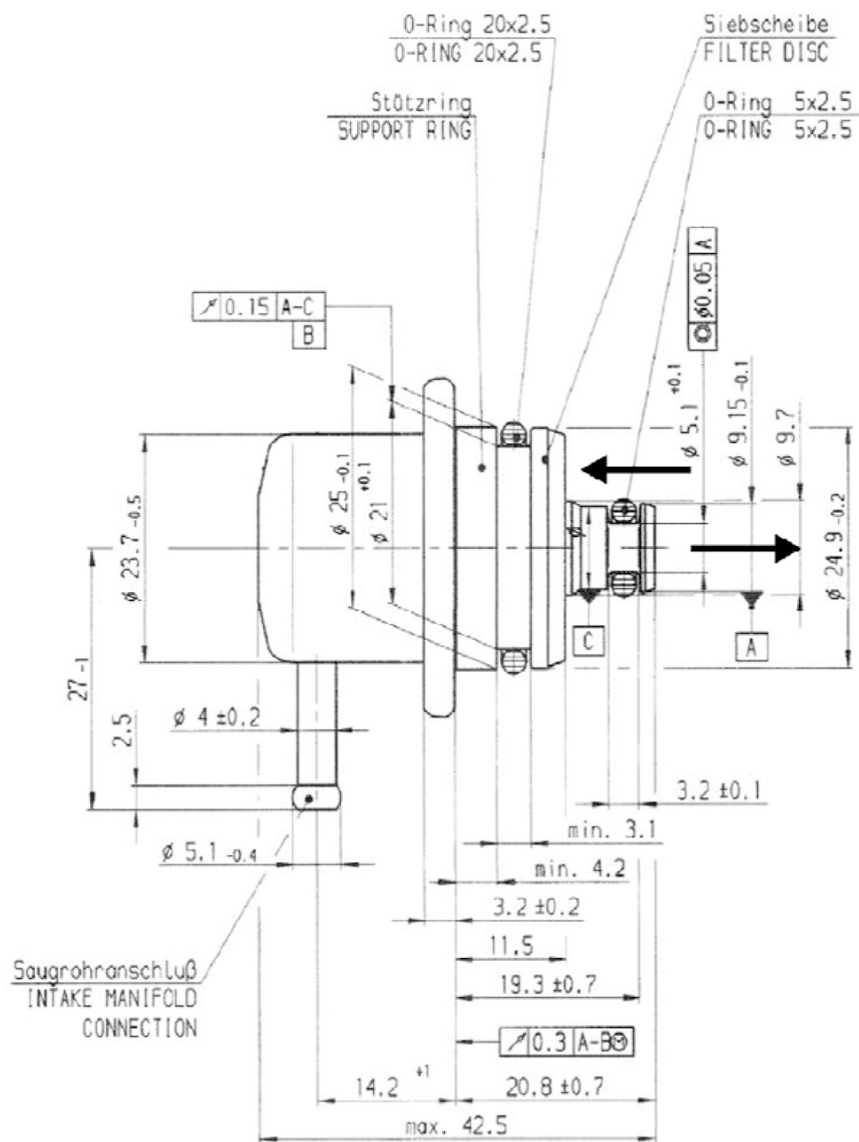
Order number **0 280 B02 722-02**

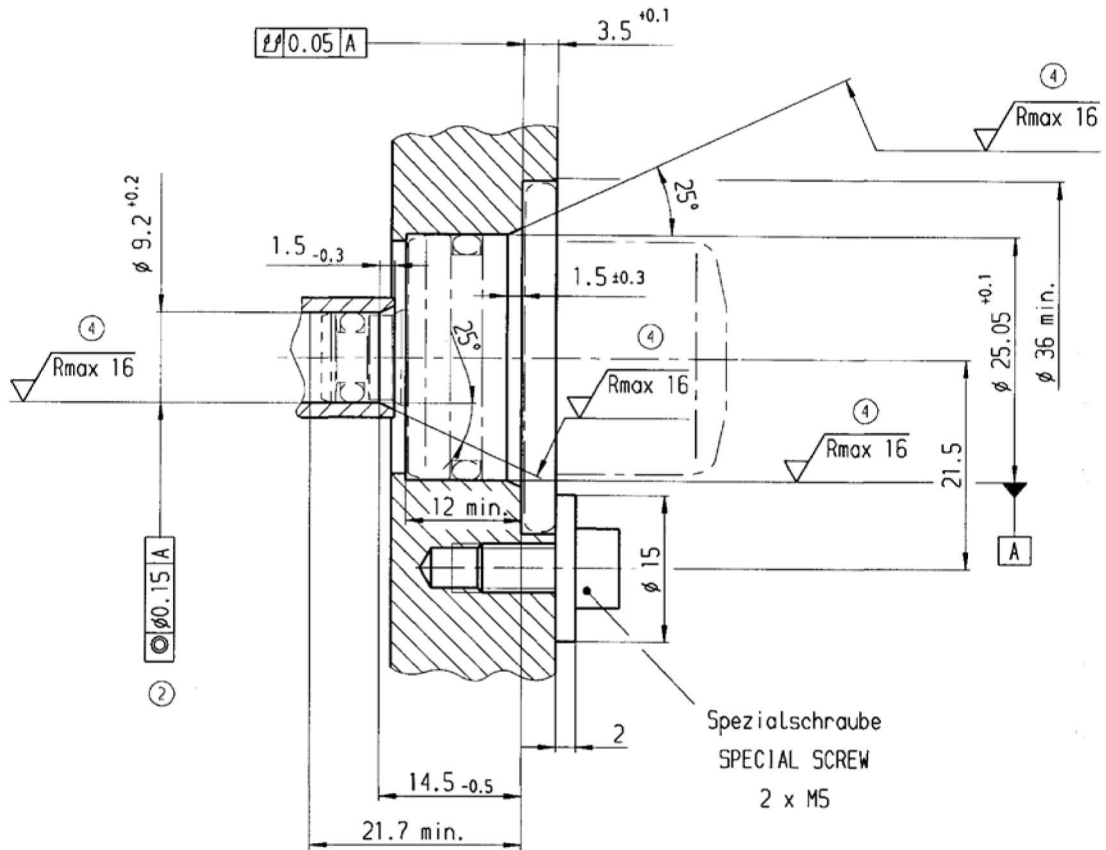
Accessories

FPR Adaptor

Order number **F 02U V00 735-02**

Dimensions





Installation Recommendation

Represented by:

Europe:
 Bosch Engineering GmbH
 Motorsport
 Robert-Bosch-Allee 1
 74232 Abstatt
 Germany
 Tel.: +49 7062 911 9101
 Fax: +49 7062 911 79104
 motorsport@bosch.com
 www.bosch-motorsport.de

North America:
 Bosch Engineering North America
 Motorsport
 38000 Hills Tech Drive
 Farmington Hills, MI 48331-3417
 United States of America
 Tel.: +1 248 876 2977
 Fax: +1 248 876 7373
 motorsport@bosch.com
 www.bosch-motorsport.com

Latin America:
 Robert Bosch Ltda
 Motorsport
 Av Juscelino Kubitschek de
 Oliveira 11800
 Zip code 81460-900
 Curitiba - Parana
 Brasilia
 Tel.: +55 41 3341 2057
 Fax: +55 41 3341 2779

Asia-Pacific:
 Bosch Engineering Japan K.K.
 Motorsport
 18F Queen's Tower C, 2-3-5 Minato Mirai
 Nishi-ku, Yokohama-shi
 Kanagawa 220-6218
 Japan
 Tel.: +81 45 650 5610
 Fax: +81 45 650 5611
 www.bosch-motorsport.jp

Australia, New Zealand and South Africa:
 Robert Bosch Pty. Ltd
 Motorsport
 1555 Centre Road
 Clayton, Victoria, 3168
 Australia
 Tel.: +61 (3) 9541 3901
 motor.sport@au.bosch.com