

Lambdatronic LT4

www.bosch-motorsport.com



- ▶ Supply of up to 4 Bosch lambda sensors, type LSU 4.2, LSU 4.9 or Mini-LSU 4.9
- ▶ Integrated voltage compensation for sensor heater

The Lambdatronic LT4 provides controlled pumping current to supply up to 4 Bosch lambda sensors, type LSU 4.2, LSU 4.9 or Mini-LSU 4.9. The lambda value, the sensor temperature and diagnostics are available via CAN and analog signal.

The LSU contains a Nernst and a pump cell. The lambda in the Nernst cell is controlled to $\lambda = 1.013$ independent of the oxygen contents on the emission side, through a current through the pump cell. The current proportional output voltage of the IC is a measure of the lambda value.

The main feature and benefit of this unit is the combination of the Bosch well known lambda IC and a very compact box size with motorsport specification. Furthermore the analog signal output can be configured freely.

Functions

Application	Lambda 0.75 to 10.12
Compatible Bosch sensor type	LSU 4.2, LSU 4.9, Mini-LSU 4.9
Channels	4
Heater	Internal

Technical Specifications

Mechanical Data

Weight with wire	98 g
Sealing	100 % humidity
Mounting	Velcro
Size w/o wire (w*l*h)	54 x 59 x 13 mm
Operating temp. range (housing)	-20 to 85°C
Storage temp. range	-20 to 85°C
Max. vibration	Vibration Profile 1 (see Appendix or www.bosch-motorsport.com)

Electrical Data

Power supply U_s	(6.5) 10 to 14 V
Max power supply (1 min) U_s	Max. 26 V
Thermal dissipation loss	3 W at 14 V
Current I_s	5 A
Current I_s (Heating up)	26 A

Software

Configuration with Modas Sport	Included
--------------------------------	----------

Characteristic

Signal output 1	CAN
Signal output 2	4 x 0 to 5 V "analog"
CAN- baud rate	500 kbaud or 1 Mbaud
Signal resolution	2,5 * 10 ⁻⁴ lambda
Signal sampling rate	100 Hz
CAN refresh rate	100 Hz

Connectors and Wires

Connector	AS 6-14-35PN
Connector loom AS 1-14-35SN	F 02U 000 365-01
Sleeve	Viton
Wire size	26
Wire length L	20 cm

Pin Assignment

Pin	Function
1	+ 12 V (Battery +)
2	+ 12 V (Battery +)
3	Ground (Battery -)
4	Ground (Battery -)
5	K-Line diagnostic connection
6	CAN1 + (high)
7	CAN1 - (low)
8	Analog out 1
9	Analog out 2
10	Analog out 3
11	Analog out 4
12	Reference GND for analog out
13	Shield
14	Pump current LSU 1 IP1
15	Virtual GND LSU 1 VM1
16	Heater PWM LSU 1 Uh-1
17	Heater (Batt +) LSU 1 Uh+1
18	Setup current LSU 1 IA1

19	Nernst voltage LSU 1 UN1
20	Pump current LSU 2 IP2
21	Virtual GND LSU 2 VM2
22	Heater PWM LSU 2 Uh-2
23	Heater (Batt. +) LSU 2 Uh+2
24	Setup current LSU 2 IA2
25	Nernst voltage LSU 2 UN2
26	Pump current LSU 3 IP3
27	Virtual GND LSU 3 VM3
28	Heater PWM LSU 3 Uh-3
29	Heater (Batt. +) LSU 3 Uh+3
30	Setup current LSU 3 IA3
31	Nernst voltage LSU 3 UN3
32	Pump current LSU 4 IP4
33	Virtual GND LSU 4 VM4
34	Heater PWM LSU 4 Uh-4
35	Heater (Batt. +) LSU 4 Uh+4
36	Setup current LSU 4 IA4
37	Nernst voltage LSU 4 UN4

Installation Notes

The LT4 is designed to supply 4 Bosch lambda sensors, type LSU 4.2, LSU 4.9 or Mini-LSU 4.9

The LT4 is featured with voltage compensation for the heating profile

The unit can be connected to any CAN system (500 kbaud or 1 Mbaud) and analog measuring device.

To avoid signal errors, a cable length of maximum 1.5 m between sensor and box is recommended.

The unit is secure from miss-pinning.

The reference ground (GND_REF) has to be connected either to the measuring device or to the system ground.

A ground offset of 2 V (max.) between GND and GND_REF has not to be exceeded.

See the LT4 function sheet for software documentation (e.g. CAN protocol).

Please find further application hints in the offer drawing at our homepage.

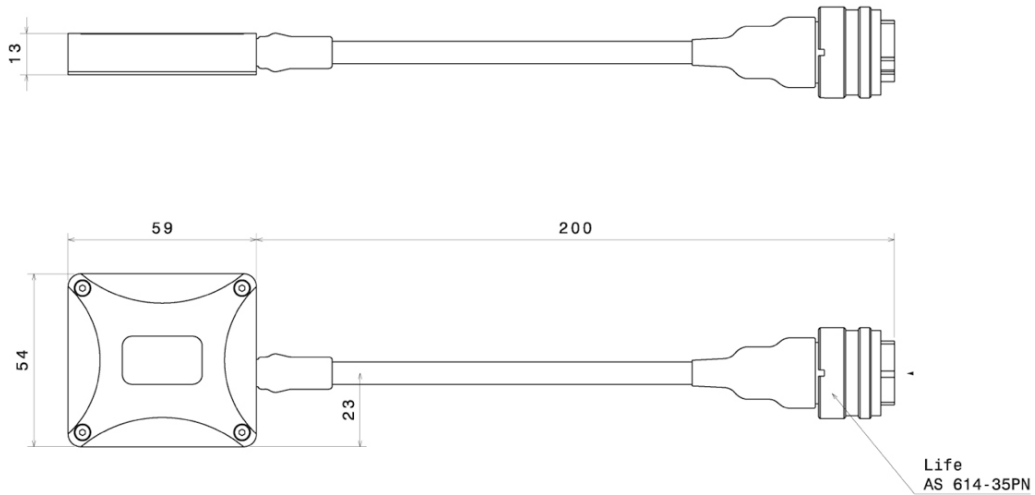
Communication

Communication link	K-Line / CAN
--------------------	--------------

Ordering Information

Lambdatronic LT4
Order number **F 01T A20 070-09**

Dimensions



Represented by:

Europe:
Bosch Engineering GmbH
Motorsport
Robert-Bosch-Allee 1
74232 Abstatt
Germany
Tel.: +49 7062 911 9101
Fax: +49 7062 911 79104
motorsport@bosch.com
www.bosch-motorsport.de

North America:
Bosch Engineering North America
Motorsport
38000 Hills Tech Drive
Farmington Hills, MI 48331-3417
United States of America
Tel.: +1 248 876 2977
Fax: +1 248 876 7373
motorsport@bosch.com
www.bosch-motorsport.com

Latin America:
Robert Bosch Ltda
Motorsport
Av Juscelino Kubitscheck de
Oliveira 11800
Zip code 81460-900
Curitiba - Parana
Brasil
Tel.: +55 41 3341 2057
Fax: +55 41 3341 2779

Asia-Pacific:
Bosch Engineering Japan K.K.
Motorsport
18F Queen's Tower C, 2-3-5 Minato Mirai
Nishi-ku, Yokohama-shi
Kanagawa 220-6218
Japan
Tel.: +81 45 650 5610
Fax: +81 45 650 5611
www.bosch-motorsport.jp

Australia, New Zealand and South Africa:
Robert Bosch Pty. Ltd
Motorsport
1555 Centre Road
Clayton, Victoria, 3168
Australia
Tel.: +61 (3) 9541 3901
motor.sport@au.bosch.com