

Technical Data

housing protection IP54
 temperature range -65 ... 125°C
 max. cable acceleration 9 g
 possible mech. range 101,6 mm

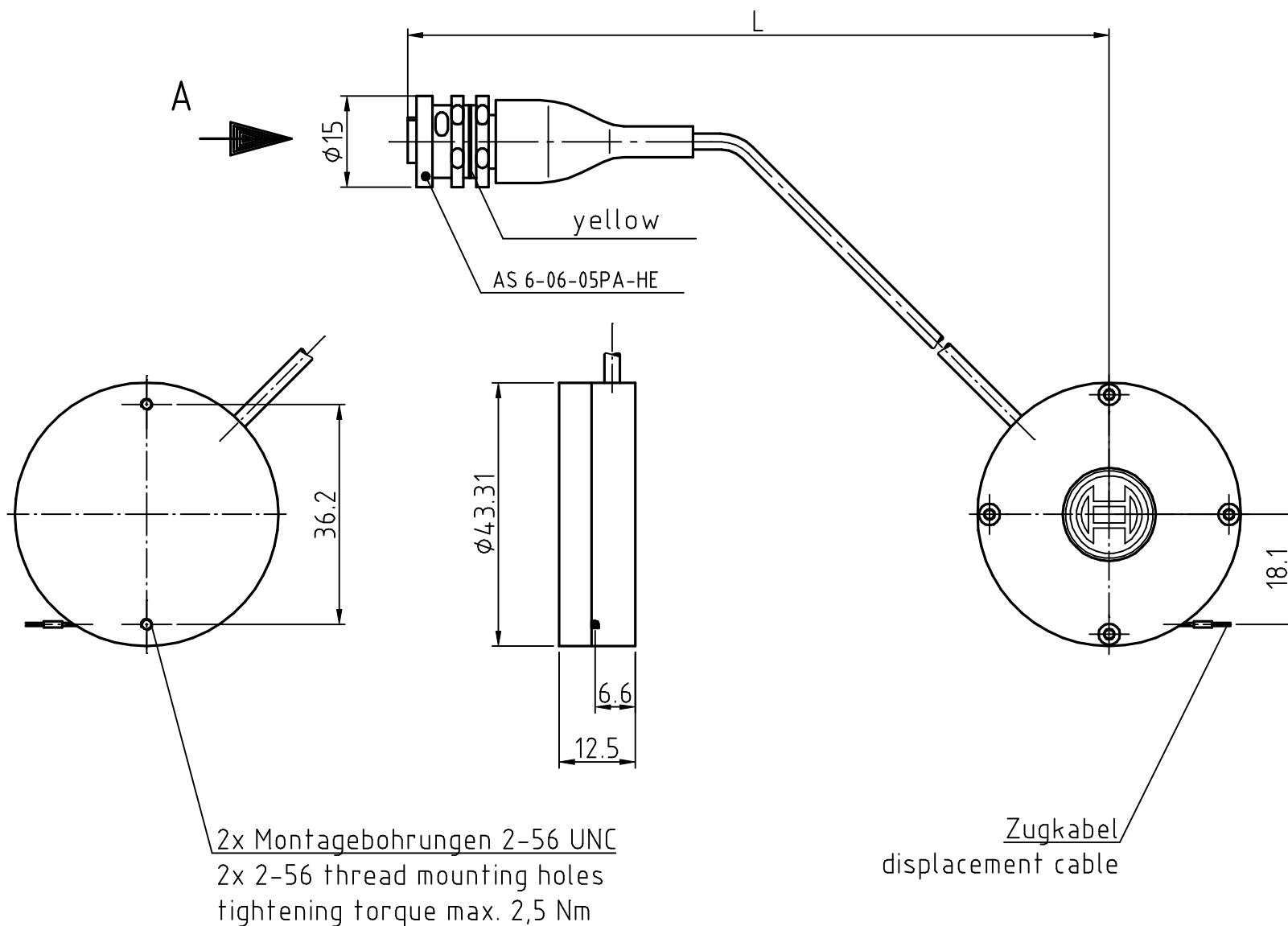


CAUTION

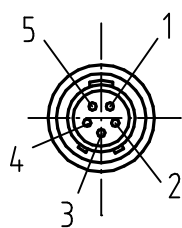


User, please observe the following :

1. Ensure electrical connections are performed according to the enclosed Position Transducer User's Guide
2. Do not allow the cable to snap back (freely retract). This will cause damage and void the warranty. Tension must be maintained on the cable at all times.



Ansicht A (M1:1)
view



- 1 : supply voltage
- 2 : ground
- 3 : signal
- 4 : free
- 5 : free

AS 6-06-05PA-HE

		Nicht tol. Maße / NON-TOL. DIMENSIONS		ISO E	Massstab SCALE 1:1	Gewicht WEIGHT ca. 57g
		± 0,5 mm, ± 1°				Angebotszeichnung OFFER DRAWING
Nach außerhalb kein Umtausch / REV. DRAWING NOT DISTRIBUTED EXTERNALLY						
		Gr.St.	Datum/ DATE	Name/ NAME	Benennung/ TITLE	
		VOLUME	gez/DWN 10.10.2001	RG	Draht Potentiometer	
			gep/CHK 11.10.2001	HI	wire potentiometer	
			ges/APP			
		DIN	Original: K3/MSD			
		A3			Nr./ NO.	Blatt SHEET 1
			BOSCH		A 261 209 544	de/en BI/SH
		(ACA)	Ers.f./ REPLACES .		Ers.d./ REPLAC.BY .	

© THIS DRAWING IS THE EXCLUSIVE PROPERTY OF ROBERT BOSCH GMBH. WITHOUT THEIR CONSENT IT MAY NOT BE REPRODUCED OR GIVEN TO THIRD PARTIES.

© Alle Rechte bei Robert Bosch GmbH, auch fuer den Fall von Schutzrechtsanmeldungen. Jede Veruegungsbezugnis, wie Kopier- und Weitergaberecht, bei uns.

Weitere frendspr. Zeichnungen FURTHER FOREIGN LANGUAGE DWGS

OBSERVE INSTRUCTIONS FOR FILLING OUT N12A D11/1