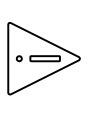
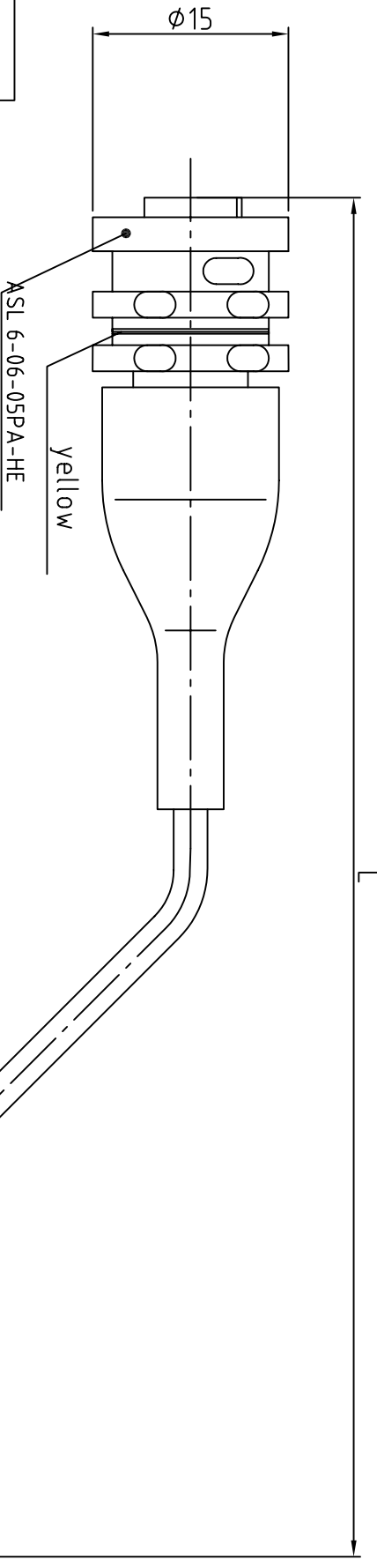
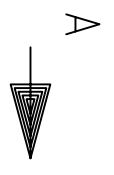


**Technical Data**  
 housing protection IP54  
 temperature range -65 ... 125°C  
 max. cable acceleration 17 g  
 possible mech. range 76,2 mm

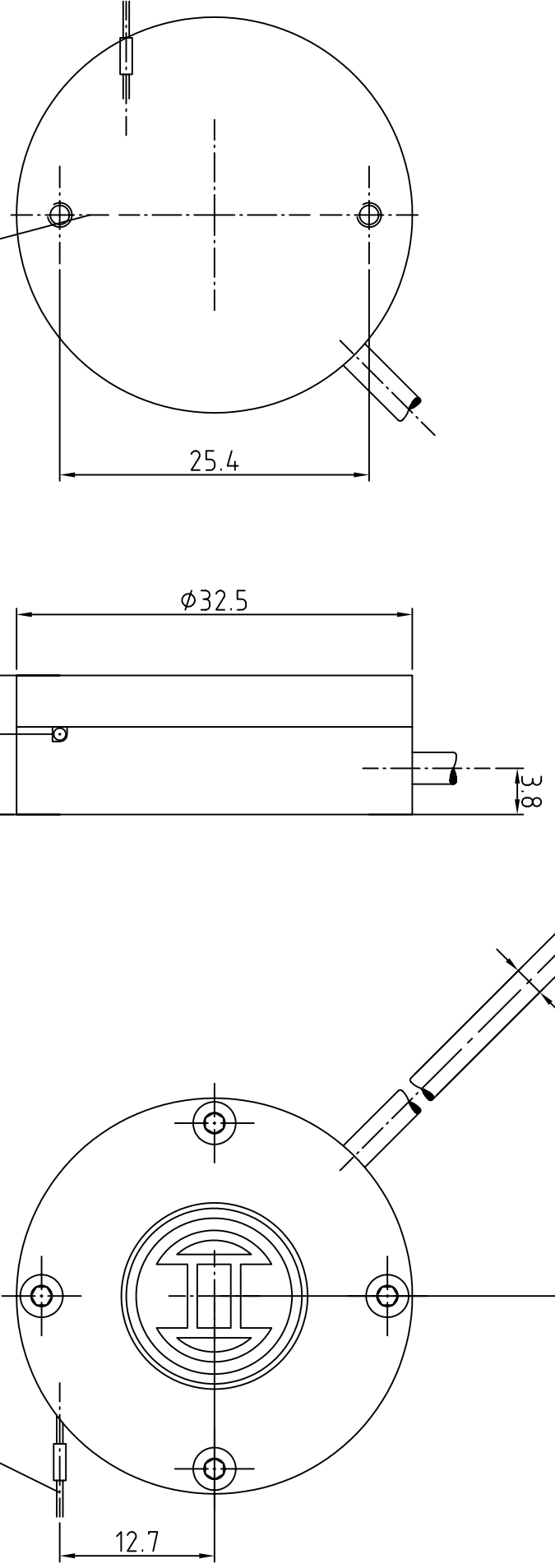


**CAUTION**

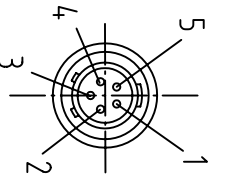


User, please observe the following:

1. Ensure electrical connections are performed according to the enclosed Position Transducer User's Guide
2. Do not allow the cable to snap back (freely retract). This will cause damage and void the warranty. Tension must be maintained on the cable at all times.



**Ansicht A (M1:1)  
 view**



- 1 : supply voltage +5V
- 2 : ground
- 3 : signal
- 4 : free
- 5 : free

**ASL 6-06-05PA-HE**

**B 261 209 543**  
 Bestell-Nr./ order-no.  
 Länge L  
 length L [mm]

Nach außerhalb kein Umtausch / REV. DRAWING NOT DISTRIBUTED EXTERNALLY		Gr. St.		Nicht tol. Maße / NON-TOL. DIMENSIONS		ISO E		Massestab SCALE	
±0,5 mm, ±1°		VOL/UNE		±0,5 mm, ±1°		A3		2:1 (1:1)	
Datum/ DATE		gez/DWN		Datum/ DATE		Original: BEG/MSD		Angebots-zeichnung OFFER DRAWING	
20.11.2005		20.11.2005		20.11.2005		BEG/MSD		Draht Potentiometer wire potentiometer	
Name/NAME		ges/CHK		Name/NAME		Original: BEG/MSD		Gewicht WEIGHT	
Cr		ges/CHK		Cr		Original: BEG/MSD		ca. 42g	
Benennung/ TITLE		ges/APP		Benennung/ TITLE		Original: BEG/MSD		Blatt 1	
Draht Potentiometer wire potentiometer		ges/APP		Draht Potentiometer wire potentiometer		Original: BEG/MSD		SHEET 1	
Nr./ NO.		Original: BEG/MSD		Nr./ NO.		Original: BEG/MSD		Blatt 1	
A 261 209 543		Original: BEG/MSD		A 261 209 543		Original: BEG/MSD		SHEET 1	
Ers.f./ REPLACES		Original: BEG/MSD		Ers.f./ REPLACES		Original: BEG/MSD		Blatt 1	
Ers.d./ REPLACBY		Original: BEG/MSD		Ers.d./ REPLACBY		Original: BEG/MSD		Blatt 1	